

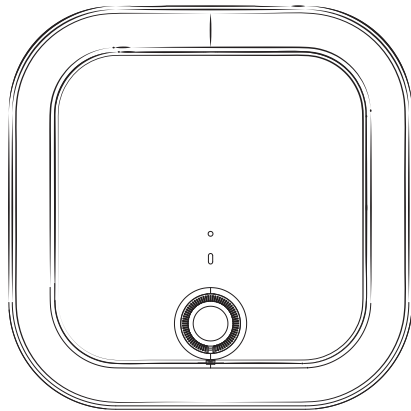


CANDY

INSTRUCTION MANUAL

SEALED STORAGE ELECTRIC
WATER HEATER

Model: CTR10RS/E
CTR15RS/E



The diagram above is just for reference. Please take the appearance of the actual product as the standard.

Declarations of compliance

By placing the **CE** mark on the product, we are confirming compliance to all relevant European safety, health and environmental requirements which are applicable in legislation for this product.

Waste management and environmental protection



This appliance is labelled in accordance with European Directive 2012/19/EU regarding electric and electronic appliance (WEEE). The WEEE contain both polluting substances (that can have a negative effect on the environment) and base elements (that can be reused). It is important that the WEEE undergo specific treatments to correctly remove and dispose of the pollutants and recover all the materials. Individuals can play an important role in ensuring that the WEEE do not become an environment problem; it is essential to follow a few basic rules.

- The WEEE should not be treated as domestic waste;
- The WEEE should be taken to dedicated collection areas managed by the town council or a registered company.

In many countries, domestic collections may be available for large WEEEs. When you buy a new appliance, the old one can be returned to the vendor who must accept it free of charge as a one-off, as long as the appliance is of an equivalent type and has the same functions as the purchased appliance.

General Remark

- The installation and maintenance has to be carried out by qualified professionals or authorized technicians.
- The manufacturer shall not be held responsible for any damage or malfunction caused by wrong installation or failing to comply with following instructions included in this pamphlet.
- For more detailed installation and maintenance guidelines, please refer to below chapters.

TABLE OF CONTENTS

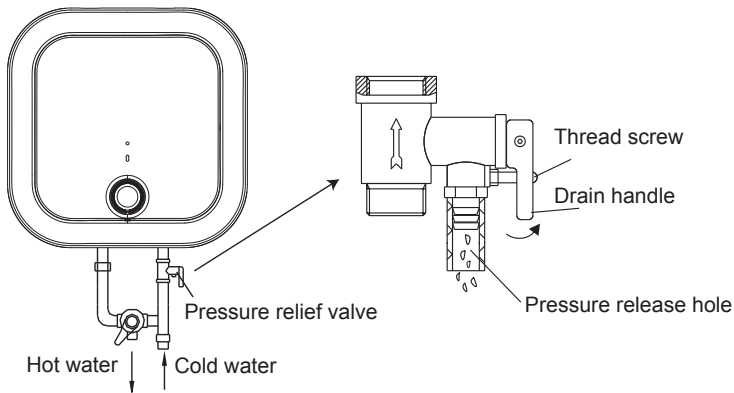
<u>TITLE</u>	<u>PAGE</u>
1.CAUTIONS	(2)
2.PRODUCT INTRODUCTION	(3)
3.UNIT INSTALLATION	(5)
4.METHODS OF USING	(7)
5.MAINTENANCE	(7)
6.TROUBLESHOOTING	(8)
7.PRODUCE INFORMATION WITH EU REGULATION	(9)
8.DESCRPTION TO ANNEX I	(13)

1. CAUTIONS

Before installing this water heater, check and confirm that the earthing on the supply socket is reliably grounded. Otherwise, the electrical water heater can not be installed and used. Do not use extension boards. Incorrect installation and use of this electrical water heater may result in serious injuries and loss of property.

Special Cautions

- The supply socket must be earthed reliably. The rated current of the socket shall not be lower than 10A. The socket and plug shall be kept dry to prevent electrical leakage. Inspect frequently whether the plugs contact well with the socket. Inspect method is as follows: insert the power supply plug into socket, after using for half an hour, shut down the unit and pull the plug out, and inspect the plug whether it scalds hand. If it scalds (over 50 °C), please change another well-contacted socket to avoid the plug being damaged, fire or other personnel accidents result from bad-contacting.
- The installation height of the supply socket shall not be lower than 1.8m.
- The wall in which the electrical water heater is installed shall be able to bear the load more than two times of the heater filled fully with water without distortion and cracks. Otherwise, other strengthening measures shall be adopted.
- The pressure relief valve attached with the heater must be installed at the cold water inlet of this heater (see Fig.1), and make sure it is not exposed in the foggy. The water may be outflowed from pressure relief valve, so the outflow pipe must open wide in the air; The pressure relief valve need to be checked and cleaned regularly, so as to make sure it will not be blocked.



(Fig.1)

- When using the heater for the first time (or the first use after maintenance), the heater can not be switched on until it has been filled fully with water. When filling the water, at least one of the outlet valves at the outlet of the heater must be opened to exhaust the air. This valve can be closed after the heater has been filled fully with water.
- The water heater is not intended for use by persons (including children) with reduced physical, sensory or mental capabilities, or lack of experience and knowledge, unless they have been given supervision or instructions concerning use of the appliance by a person responsible for their safety. Children should be supervised to ensure that they do not play with the heater.

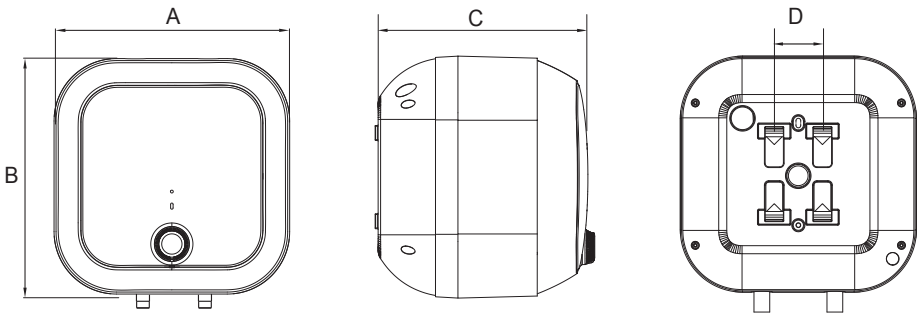
- During heating, there may be drops of water dripping from the pressure release hole of the multifunction valves. This is a normal phenomenon. If there is a large amount of water leak, please contact customer care center for repair. This pressure release hole shall, under no circumstances, be blocked; otherwise, the heater may be damaged, even resulting in accidents.
- The drainage pipe connected to the pressure release hole must be kept sloping downwards.
- Since the water temperature inside the heater can reach up to 75 °C, the hot water must not be exposed to human bodies when it is initially used. Adjust the water temperature to a suitable temperature to avoid scalding.
- Unscrew the thread screw on the multifunction safety valve, and lift the drain handle upwards. (See Fig.1) to drain the water from the inner tank.
- If the flexible power supply cord is damaged, the special supply cord provided by the manufacturer must be selected, and replaced by the professional maintenance personnel.
- If any parts and components of this electrical water heater are damaged please contact customer care center for repair.
- This appliance is not intended for use by persons (including children) with reduced physical, sensory or mental capabilities, or lack of experience and knowledge, unless they have been given supervision or instruction concerning use of the appliance by a person responsible for their safety.
- Children should be supervised to ensure that they do not play with the appliance.

2. PRODUCT INTRODUCTION

2.1 Technical Performance Parameters

Model	Volume (L)	Rated Power (W)	Rated Voltage (ACV)	Rated Pressure (MPa)	Max Of Water Temperature (°C)	Protection Class	Water Proof Class
CTR10RS/E	10	1500	220-240	0.75	65	I	IPX4
CTR15RS/E	15	1500	220-240	0.75	75	I	IPX4

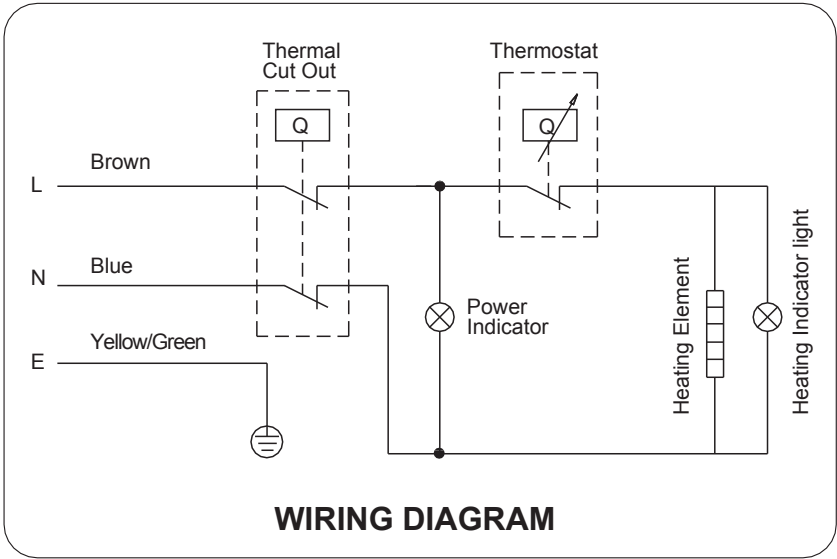
2.2 Brief introduction of product structure



	CTR10RS/E	CTR15RS/E
A	324	368
B	324	368
C	282	312
D	66	66

(Note:All dimensions are in mm)

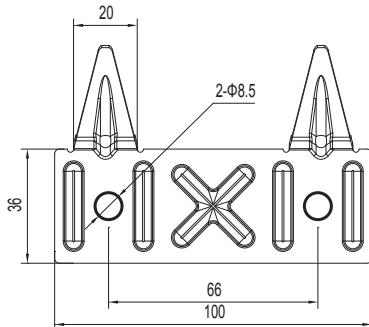
2.3 Internal Wire Diagram



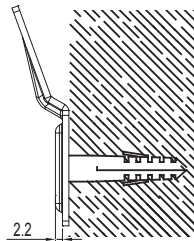
3. UNIT INSTALLATION

3.1 Installation Instruction

- ① This electrical water heater shall be installed on a solid wall. If the strength of the wall cannot bear the load equal to two times of the total weight of the heater filled fully with water, it is then necessary to install a special support.
In case of hollow bricks wall, ensure to fill it with cement concrete completely.
- ② After selecting a proper location, install the mounting bracket to a solid wall.
Methods of installation: Follow the installation as shown in Fig.3. Use the anchors and fasteners provided along with the product for securing the bracket(Fig.2) firmly in the wall.
- ③ Align the slots on the back of the water heater with the projections on the bracket and mount the water heater on the bracket. Thereafter slide the water heater gently towards the bottom side on lock the water heater.

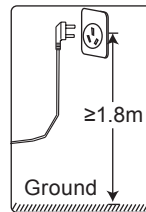
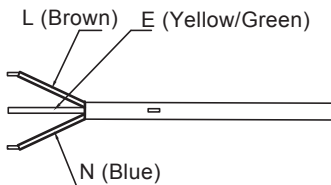


(Fig.2)



(Fig.3)

- ④ Install the supply socket in the wall. The requirements for the socket are as follows: 250V/10A, single phase, three electrodes. It is recommended to place the socket on the right above the heater. The height of the socket to the ground shall not be less than 1.8m (see Fig.4). If there is a fault on the power cable, it should be replaced by the manufacturers, agencies or qualified person who is able to do this so as to ensure the safety.

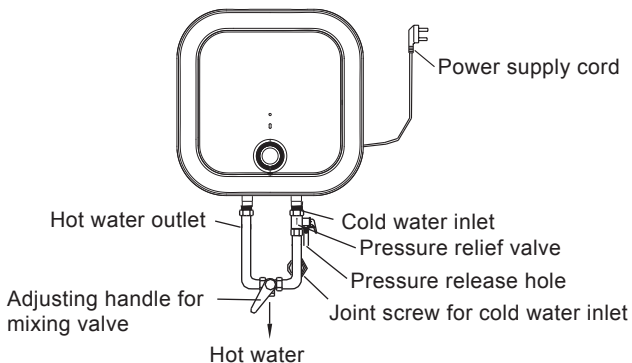


(Fig.4)

- ⑤ If the bathroom is too small, the heater can be installed at another place without sun-scorched and rain-drenched. However, in order to reduce the pipeline heat losses, the installation position of the heater shall be as close to the location as possible to the heater.

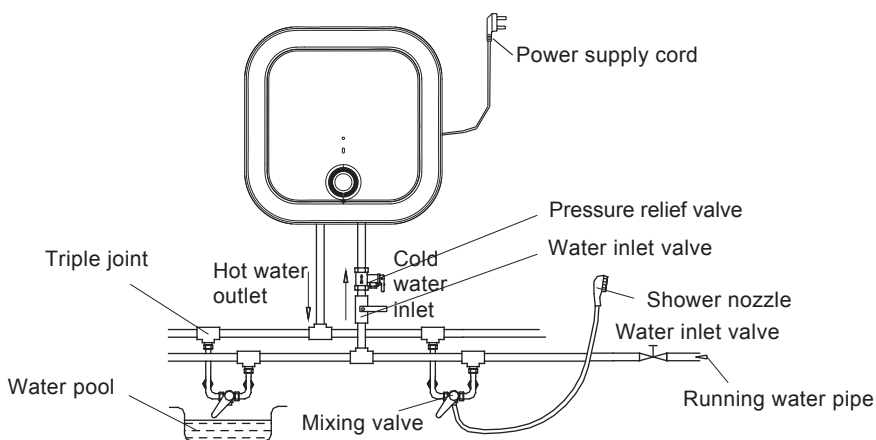
3.2 Pipelines Connection

- ① The dimension of each pipe part is G1/2" ; The massive pressure of inlet should use Pa as the unit; The minimum pressure of inlet should use Pa as the unit.
- ② Connection of pressure relief valve with the heater on the inlet of the water heater.
- ③ In order to avoid leakage when connecting the pipelines, the rubber seal gaskets provided with the heater must be added at the end of the threads to ensure leak proof joints (see Fig.5).



(Fig.5)

- ④ If the users want to realize a multi-way supply system, refer to the method shown in fig.6 for connection of the pipelines.



(Fig.6)



NOTE

Please be sure to use the accessories provided by our company to install this electric water heater. This electric water heater can not be hung on the support until it has been confirmed to be firm and reliable. Otherwise, the electric water heater may drop off from the wall, resulting in damage of the heater, even serious accidents of injury. When determining the locations of the bolt holes, it shall be ensured that there is a clearance not less than 0.2m on the right side of the electric heater, to convenient the maintenance of the heater, if necessary.

4. METHODS OF USING

- First, open any one of the outlet valves at the outlet of the water heater, then, open the inlet valve. The water heater gets filled with water. When water flows out of the outlet pipe it implies that the heater has been filled fully with water, and the outlet valve can be closed.



NOTE

During normal operation, the inlet valve shall be always kept open.

- Insert the supply plug into the socket.
- If the indicator lights up, the thermostat will automatically control the temperature. When the water temperature inside the heater has reached the set temperature, it will switch off automatically, when the water temperature falls below the set point the heater will be turned on automatically to restore the heating.



(Fig.7)

- ① Rotate the knob according to the marking on the knob to increase or decrease the setting temperature.
- ② The White (up) LED is the power light. The White (down) LED is the heating light. The power light remains ON when machine is connected to power. The heating light will be ON once the knob is rotated to adjust the temperature and will be OFF when the heating process is finished.

5. MAINTENANCE

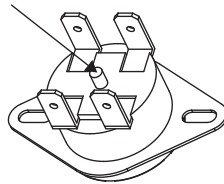


WARNING

Do cut off power supply before maintenance, to avoid danger like electric shock.

- Check the power plug and outlet as often as possible. Secure electrical contact and also proper grounding must be provided. The plug and outlet must not heat excessively.
- If the heater is not used for a long time, especially in regions with low air temperature (below 0°C), it is necessary to drain water from the heater to prevent damage of the water heater, due to water freezing in the internal tank. (Refer Cautions in this manual for the method to drain away the water from the inner container).
- To ensure long reliable water heater operation, it is recommended to regularly clean the internal tank and remove deposits on the electric heating element of the water heater, as well as check condition (fully decomposed or not) of the magnesium anode and, if necessary, replace it with a new one in case of full decomposition. Tank cleaning frequency depends on hardness of water located in this territory. Cleaning must be performed by special maintenance services. You can ask the seller for address of the nearest service center.
- The water heater is equipped with a thermal switch, which cuts off power supply of the heating element upon water overheating or its absence in the water heater. If the water heater is connected to the mains, but water is not heated and the indicator doesn't light up, then the thermal switch was switched off or not switched on. To reset the water heater to the operating condition, it is necessary to:
 1. De-energize the water heater, remove the plate of the side/lower cover.
 2. Press the button, located at the center of the thermal switch, see Fig.8;
 3. If the button is not pressed and there is no clicking, then you should wait until the thermal switch cools down to the initial temperature.

Manual reset button



(Fig.8)



WARNING

Non-professionals are not allowed to disassemble the thermal switch to reset. Please contact professionals to maintain. Otherwise our company will not take responsibility if any quality accident happens because of this.

6. TROUBLESHOOTING

Failures	Reasons	Treatment
The heating indicator light is off.	Failures of the temperature controller.	Contact with the professional personnel for repair.
No water coming out of the hot water outlet.	<ol style="list-style-type: none">1. The running water supply is cut off.2. The hydraulic pressure is too low.3. The inlet valve of running water is not open.	<ol style="list-style-type: none">1. Wait for restoration of running water supply.2. Use the heater again when the hydraulic pressure is increased.3. Open the inlet valve of running water.
The water temperature is too high.	Failures of the temperature control system.	Contact with the professional personnel for repair.
Water leak.	Seal problem of the joint of each pipe.	Seal up the joints.



NOTE

Parts illustrated in this use and care manual are indicative only, parts provided with the product may differ with illustrations. This product is intended for household use only. Specifications are subject to change without notice.

7. PRODUCE INFORMATION WITH EU REGULATION

The electrical storage water heater **CTR10RS/E** of the company **Candy Hoover Group srl** was tested with a declared load profile of the size **“XXS”**

The product fulfills and corresponds to the requirements of the commission regulation standards (No 814/2013) for electrical storage water heater and achieved a water heating energy efficiency of

$\eta_{wh}=36\%$

that correspond to the water heating efficiency class **“A”**

In accordance with Annex II Energy Efficiency Classes article 1 of the commission regulation (No 812/2013)

The evaluation of the result of this report with respect of conformity with the related commission regulation (No 812/2013 and 814/2019) is only a part of the conformity assessment to achieve the ErP-Label.

Electricity consumption Q_{elec} , water heating energy efficiency η_{wh} and mixed water at 40 °C (V40)

Description	Parameter	Value	Unit
k-Value	k	0.23	
Smart control compliance	smart	0	
Smart control factor	SCF	0	
Conversion coefficient	CC	2.5	
Ambient correction term	Q_{cor}	-0.173	kWh
Referent energy	Q_{ref}	2.1	kWh
Useful energy content	Q_{H2O}	2.131	kWh
Correction ratio of reference and useful energy	Q_{ref}/Q_{H2O}	0.985	kWh
Daily electricity consumption (measured)	Q_{test_elec}	2.469	kWh
Water temperature at the beginning of the 24h measurement cycle	T3	48.7	°C
Water temperature at the end of the 24h measurement cycle	T5	51.4	°C
Storage volume	M_{act}	10.3	kg
Storage volume	C_{act}	10.3	L
Daily electricity consumption (corrected)	Q_{elec}	2.401	kWh
Water heating energy efficiency	η_{wh}	36.0	
Annual Electricity Consumption	AEC	512	kWh
Water heating energy efficiency class			
Water temperature without tapping	T_{set}	48	°C
Average water temperature of outlet warm water	θ'_p	46.4	°C
Average water temperature of inlet cold water	θ_c	10.4	°C
Normalised value of the average temperature	θ_p	46.4	°C
Volume that delivered water of at least 40 °C	V_{40exp}	8	L
Calculated volume that delivered hot water of at least 40 °C	V_{40}	9	L

The electrical storage water heater **CTR15RS/E** of the company **Candy Hoover Group srl** was tested with a declared load profile of the size **“XXS”**

The product fulfills and corresponds to the requirements of the commission regulation standards (No 814/2013) for electrical storage water heater and achieved a water heating energy efficiency of

$$\eta_{wh}=35\%$$

that correspond to the water heating efficiency class **“A”**

In accordance with Annex II Energy Efficiency Classes article 1 of the commission regulation (No 812/2013)

The evaluation of the result of this report with respect of conformity with the related commission regulation (No 812/2013 and 814/2019) is only a part of the conformity assessment to achieve the ErP-Label.

Electricity consumption Q_{elec} , water heating energy efficiency η_{wh} and mixed water at 40 °C (V_{40})

Description	Parameter	Value	Unit
k-Value	k	0.23	
Smart control compliance	smart	0	
Smart control factor	SCF	0	
Conversion coefficient	CC	2.5	
Ambient correction term	Q_{cor}	-0.208	kWh
Referent energy	Q_{ref}	2.1	kWh
Useful energy content	Q_{H2O}	2.134	kWh
Correction ratio of reference and useful energy	Q_{ref}/Q_{H2O}	0.984	kWh
Daily electricity consumption (measured)	Q_{test_elec}	2.478	kWh
Water temperature at the beginning of the 24h measurement cycle	T3	49.6	°C
Water temperature at the end of the 24h measurement cycle	T5	48.3	°C
Storage volume	M_{act}	15.6	kg
Storage volume	C_{act}	15.6	L
Daily electricity consumption (corrected)	Q_{elec}	2.462	kWh
Water heating energy efficiency	η_{wh}	35.3	
Annual Electricity Consumption	AEC	522	kWh
Water heating energy efficiency class			
Water temperature without tapping	T_{set}	50	°C
Average water temperature of outlet warm water	θ'_p	49.2	°C
Average water temperature of inlet cold water	θ_c	10.6	°C
Normalised value of the average temperature	θ_p	49.2	°C
Volume that delivered water of at least 40 °C	V_{40exp}	12	L
Calculated volume that delivered hot water of at least 40 °C	V_{40}	16	L

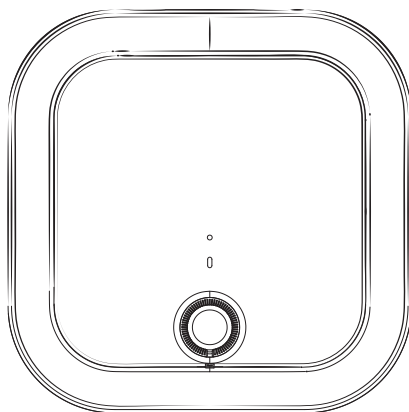
The product is subject to change without notice.
Please keep this manual properly.



MANUAL DE OPERACIÓN

TERMO ELÉCTRICO

Modelo: CTR10RS/E
CTR15RS/E



El diagrama que aparece es solo para referencia.
Sirvase tomar la apariencia del producto como un modelo estándar

Declaraciones de cumplimiento

Colocando la marca **CE** en el producto, confirmamos el cumplimiento de todos los requisitos europeos relevantes de seguridad, salud y medio ambiente que son aplicables en la legislación de este producto.

Gestión de residuos y protección ambiental



Este aparato está etiquetado según la Directiva Europea 2012/19/UE con respecto a residuos de aparatos eléctricos y electrónicos (RAEE). Los RAEE contienen tanto sustancias contaminantes (que pueden tener un efecto negativo sobre el medio ambiente) como elementos básicos (que se pueden reutilizar). Es importante que los RAEE se sometan a tratamientos específicos para eliminar y desechar los contaminantes y recuperar todos los materiales correctamente. Los individuos pueden desempeñar un papel importante para garantizar que los RAEE no se conviertan en un problema ambiental; es esencial seguir algunas reglas básicas.

- Los RAEE no se deben tratar como residuos domésticos;
- Los RAEE se deben llevar a áreas de recolección especiales gestionadas por el ayuntamiento o una empresa registrada.

En muchos países, las colecciones domésticas pueden estar disponibles para grandes RAEE. Cuando compra un nuevo aparato, el antiguo se puede devolver al vendedor que debe aceptarlo gratis como un único, siempre que el aparato sea de un tipo equivalente y tenga las mismas funciones que el aparato comprado.

Observaciones Generales

- La instalación y el mantenimiento de este aparato deben ser realizados por personal calificado o técnicos autorizados.
- El fabricante no se responsabiliza por cualquier daño o mal funcionamiento causado por una instalación incorrecta o por no cumplir las instrucciones detalladas en este manual.
- Para obtener instrucciones más detalladas y pautas de mantenimiento, sirvase revisar los siguientes capítulos.

CONTENIDO

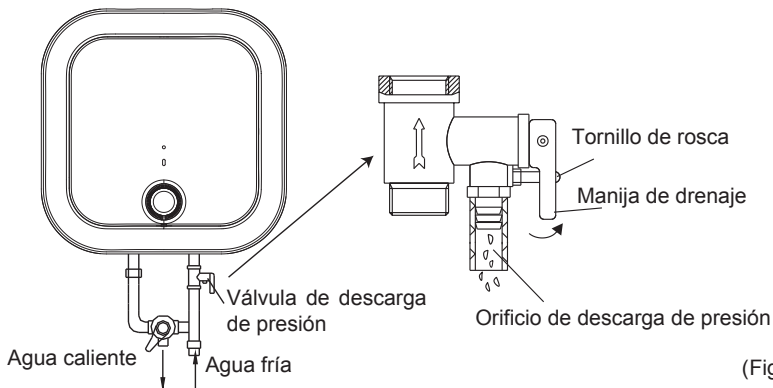
TITULO	PÁGINA
1.PRECAUCIONES.....	(2)
2.INTRODUCCIÓN DEL PRODUCTO	(3)
3.INSTALACIÓN DE LA UNIDAD	(5)
4.MÉTODOS DE UTILIZACIÓN	(7)
5.MANTENIMIENTO	(7)
6.RESOLUCIÓN DE PROBLEMAS	(8)
7.INFORMACIÓN DE PRODUCTO REGULACIÓN EU.....	(9)
8.DESCRIPCION ANEXO I	(13)

1. PRECAUCIONES

Antes de instalar este termocalefón, revisar y confirmar que la conexión a tierra del toma corriente se encuentra instalado a tierra correctamente. De lo contrario, el termocalefón no podrá ser instalado ni utilizado. No utilizar extensiones de conexión. Si se utiliza el termocalefón con una instalación realizada de manera incorrecta, podrían generarse lesiones serias y pérdidas de propiedad.

Precauciones Especiales

- El toma corriente de abastecimiento debe estar conectado a tierra de manera segura. La corriente nominal del toma corriente no debe ser inferior a 10A. El toma corriente y el enchufe deben permanecer secos para prevenir fugas eléctricas. Controlar frecuentemente que los enchufes se encuentren bien conectados al toma corriente. El método de control debe realizarse de la siguiente manera: insertar el enchufe de abastecimiento en el toma corriente, luego de utilizar la unidad durante media hora, apagarla y desconectar el enchufe. Controlar si el enchufe quema al contacto con la mano. Si lo hiciera (esto sucede por encima de los 50°C), sírvase cambiar a otro toma corriente bien conectado a tierra para evitar que el enchufe se dañe, si hubiese un mal contacto, podrían generarse accidentes personales o incendios.
- La altura de la instalación del toma corriente no debe ser inferior a 1.8m.
- La pared en la cual se instale el termocalefón, deberá poder soportar el doble del peso del calefón completamente lleno de agua sin deformaciones o grietas. De lo contrario, se deben tomar otras medidas de refuerzo.
- La válvula de descarga de presión que viene con el termocalefón, debe ser instalada en la entrada de agua fría de este calefón (ver figura 1), y asegurarse de no exponerla al vapor. El agua puede derramarse de la válvula de descarga de presión, por lo tanto el tubo de escape debe abrirse en un costado; la válvula de descarga de presión se debe revisar y limpiar regularmente, de taf modo a asegurarse de que no esté bloqueada.



(Figura 1)

- Al utilizar el termocalefón por primera vez (o al utilizarlo por primera vez luego de realizar el mantenimiento), el mismo no puede ser encendido hasta que haya sido llenado de agua por completo. Al llenar el agua, al menos una de las válvulas de salida del termocalefón debe ser abierta para liberar el aire. Esta válvula puede ser cerrada luego de que el termocalefón se llene de agua.
- El termocalefón no está diseñado para ser utilizado por personas (incluyendo niños) con discapacidades físicas, sensoriales o mentales disminuidas, o falta de experiencia y conocimiento con respecto al mismo, a menos que hayan sido supervisados o instruidos acerca de la utilización del aparato por una persona responsable de su seguridad. Los niños deben ser supervisados para asegurarse de que no jueguen con el termo calefón.

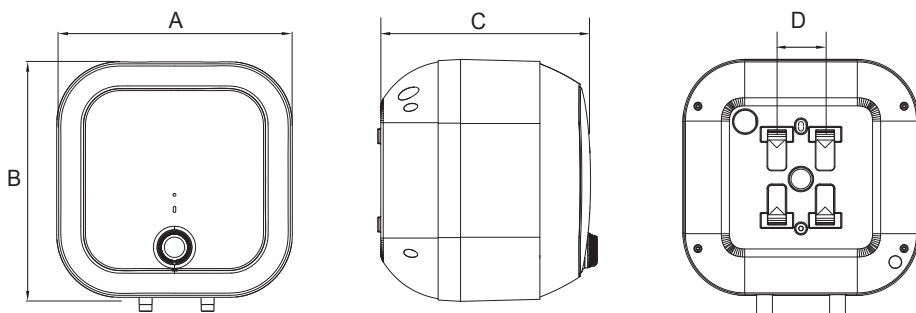
- Durante el proceso de calentamiento, podrían caer gotas del orificio de descarga de presión de las válvulas multifuncionales. Este es un fenómeno normal. Si hay una fuga grande de agua, sírvase contactar con el centro de atención al cliente para realizar reparaciones. El orificio de descarga de presión no debe ser bloqueado bajo ninguna circunstancia; de lo contrario, el termocalefón podría ser dañado o generar accidentes.
- El tubo de drenaje conectado al orificio de descarga de presión se debe mantener hacia abajo.
- Ya que la temperatura del agua en el interior del termocalefón puede llegar a los 75°C, el agua caliente no debe ser expuesta al cuerpo humano al ser encendida recientemente. Ajustar la temperatura del agua a una temperatura adecuada para evitar quemaduras.
- Desatornillar el tornillo de rosca en la válvula de seguridad multifuncional, y levantar la manija del drenaje hacia arriba (Ver Figura 1) para drenar el agua del tanque interno.
- Si el cable de alimentación flexible se daña, debe ser reemplazado por un cable de alimentación especial proveído por el fabricante y colocado por el personal de mantenimiento autorizado. Si alguna pieza o componente de este termocalefón eléctrico se dañara, sírvase contactar con el centro de atención al cliente para realizar reparaciones.

2. INTRODUCCION DEL PRODUCTO

2.1 Parámetros del Rendimiento Técnico

Modelo	Volumen (L)	Potencia Nominal (W)	Voltaje nominal (ACV)	Presión nominal (MPa)	Temperatura máxima de agua (°C)	Tipo eléctrico	Grado de impermeabilidad
CTR10RS/E	10	1500	220-240	0.75	65	I	IPX4
CTR15RS/E	15	1500	220-240	0.75	75	I	IPX4

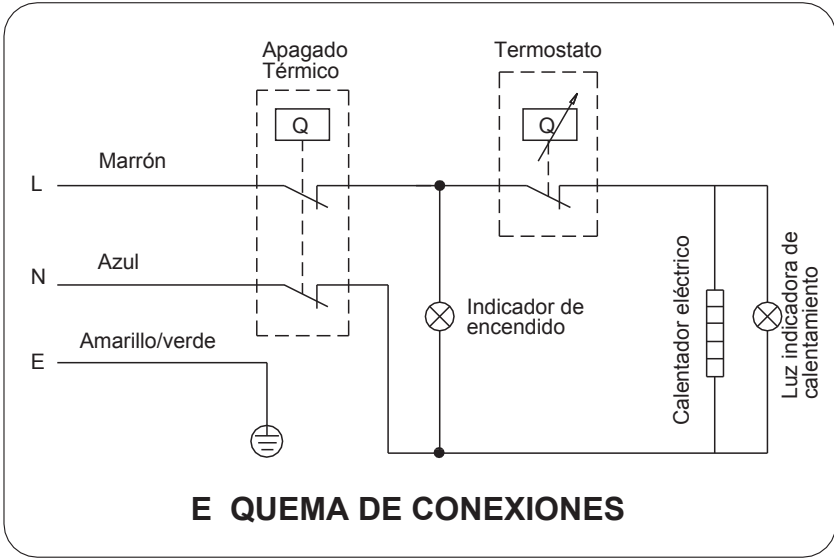
2.2 Breve introducción a la estructura del producto



	CTR10RS/E	CTR15RS/E
A	324	368
B	324	368
C	282	312
D	66	66

(Nota: Todas las dimensiones son en mm)

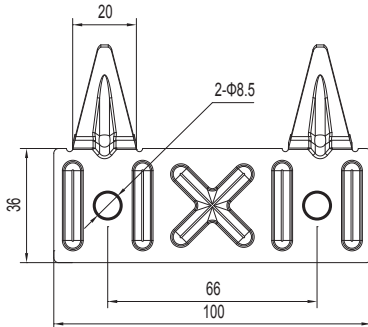
2.3 Diagrama del Cableado interno



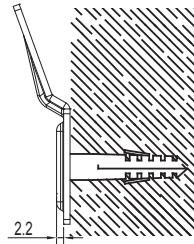
3. INSTALACION DE LA UNIDAD

3.1 Instrucciones de instalación

- ① Este termocalefón eléctrico deberá ser instalado sobre una pared sólida. Si la pared no puede soportar la carga igual a dos veces el peso del termocalefón totalmente lleno de agua, se debe instalar un soporte especial.
En caso de que la pared tenga ladrillos huecos, asegurarse de llenarlos por completo con cemento de hormigón.
- ② Después de seleccionar una posición adecuada, instale el soporte de montaje en una pared sólida. Métodos de instalación: Siga la instalación como se muestra en la Figura 3. Utilice las anclas y sujetadores provistos junto con el producto para fijar el soporte (Figura 2) firmemente a la pared.
Alinee las ranuras en la parte trasera del calentador de agua con las proyecciones en el soporte y monte el calentador de agua en el soporte. Después, deslice el calentador de agua suavemente hacia el lado inferior para bloquear el calentador de agua.

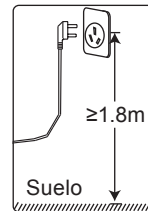
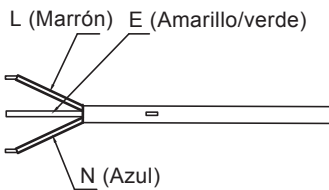


(Figura 2)



(Figura 3)

- ④ Instale en la pared la toma de corriente, cuyos requisitos son los siguientes: 250V/10, monofásica, tres electrodos. Es recomendable colocar la toma de corriente a la derecha por encima del calentador. La altura de la toma de corriente al suelo no debe ser menor de 1.8 m (ver la Figura 4).

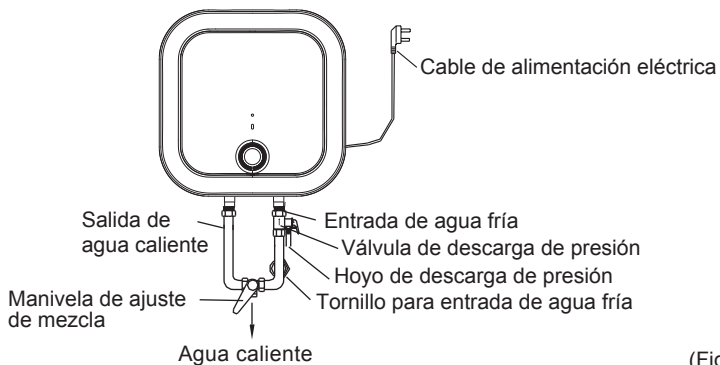


(Figura 4)

- ⑤ Si el baño es muy pequeño, el termocalefón puede ser colocado en otro lugar pero que no se encuentre bajo la exposición solar directa o bajo exposición a la lluvia. Sin embargo, para reducir las pérdidas de calor de las tuberías, la posición de la instalación del termocalefón debe estar lo más cerca de donde se vaya a utilizar el agua caliente.

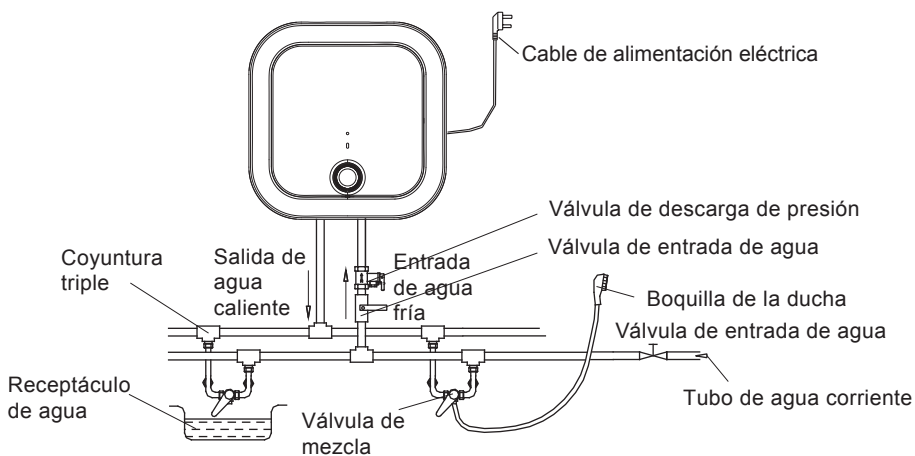
3.2 Conexiones de Tuberías

- ① La dimensión de cada tubo es de G1/2"; la presión masiva de entrada debe utilizar Pa como unidad; la presión mínima de entrada debe utilizar Pa como unidad.
- ② La conexión de la válvula de descarga de presión con el calentador en la entrada del calentador de agua.
- ③ Para evitar fugas al conectar los tubos, se deben colocar las juntas de gonna proporcionadas con el termocalefón en el extremo de las roscas para asegurar que se encuentren libres de fugas (ver Figura 5).



(Figura 5)

- ④ Si los usuarios desean realizar un sistema de abastecimiento de vía múltiple, referirse al método ilustrado en la figura 6 para la conexión de tuberías.



(Figura 6)



NOTA

Asegurarse de utilizar todos los accesorios provistos por nuestra compañía para instalar este termocalefón eléctrico. Este termocalefón eléctrico no puede ser colgado en el soporte hasta asegurarse de que sea firme y confiable. De lo contrario, el termocalefón eléctrico podría caer de la pared, generando daños al termocalefón, así como también serios accidentes y lesiones. Al determinar el lugar en el cual serán colocados los hoyos de los pernos, se debe asegurar de que haya una distancia no inferior a 0.2m del lado derecho del calentador eléctrico, a fin de dejar espacio para el trabajo de mantenimiento de ser necesario.

4. METODOS DE UTILIZACION

- Abrir primeramente cualquiera de las válvulas de salida de agua del termocalefón, luego, abrir la válvula de entrada. El termocalefón se llenará de agua. Cuando el agua se salga del tubo de salida, significa que el termocalefón se ha llenado de agua por completo y la válvula de salida puede ser cerrada.



NOTA

Durante el funcionamiento normal del aparato, la válvula de entrada debe ser mantenida abierta.

- Inserte el enchufe de alimentación en la toma.
- Si el indicador se ilumina, el termostato controlará automáticamente la temperatura. Cuando la temperatura del agua en el calentador ha alcanzado la temperatura configurada, se apagará automáticamente; cuando la temperatura del agua cae por debajo del punto de ajuste, el calentador se encenderá automáticamente para restaurar el calentamiento.



(Figura 7)

- ① Gire la perilla según el marcado en la perilla para aumentar o reducir la temperatura configurada.
- ② El LED Blanco (superior) es la luz de encendido. El LED Blanco (inferior) es la luz de calentamiento. La luz de encendido permanece ILUMINADA cuando la máquina está conectada a la alimentación. La luz de calentamiento SE ILUMINARÁ una vez que se gire la perilla para ajustar la temperatura y SE APAGARÁ cuando se completa el proceso de calentamiento.

5. MANTENIMIENTO

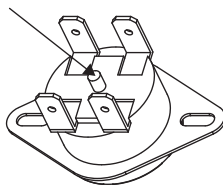


ADVERTENCIA

Para evitar riesgos de choques eléctricos, cortar la corriente eléctrica antes de realizar el trabajo de mantenimiento.

- Revisar el cable de alimentación y el toma corriente lo más a menudo posible. Asegurarse de que los contactos eléctricos y las conexiones a tierra se encuentren en buen estado. El cable y el toma corriente no se deben calentar excesivamente.
- Si no se va a utilizar el termocalefón durante un período prolongado de tiempo, especialmente en regiones con temperatura baja (bajo 0°C), es necesario drenar el agua del termocalefón para prevenir daños al mismo debido al congelamiento del agua dentro del tanque. (Referirse a Precauciones en este manual para saber el método de drenar el agua del contenedor interno).
- Para asegurar un funcionamiento confiable prolongado del termocalefón, es necesario limpiar el tanque interno de manera regular y extraer los sedimentos del calentador eléctrico del termocalefón. También hay que revisar las condiciones (de desgaste completo o no) del ánodo de magnesio y si fuese necesario, reemplazarlo con uno nuevo en caso de desgaste total. La frecuencia en la limpieza del tanque depende de la dureza del agua del territorio. La limpieza debe ser realizada por agentes de servicio autorizados. Puede consultar con el vendedor la dirección del centro de servicios más cercano.
- El limitador de la temperatura corta la electricidad si el calentador de agua está sobrecalentado o el termostato está dañado. Es necesario reiniciarlo manualmente (Ver Figura 8)

Botón reinicio manual



(Figura 8)



PRECAUCIÓN

Personal no cualificado no está autorizado a desmontar el limitador de temperatura para reiniciar. Póngase en contacto con el servicio técnico para realizar dicha acción, de lo contrario la empresa no asumirá la responsabilidad de cualquier accidente derivado de esto.

6. RESOLUCION DE PROBLEMAS

Fallas	Causa	Solución
El indicador de calor está apagado	Falla en el regulador de temperatura	Contacte al servicio técnico o personal especializado.
No sale agua caliente	<ol style="list-style-type: none">1. Se corta la fuente de agua corriente2. La presión hidráulica es demasiado baja.3. La válvula de entrada de agua no está abierta	<ol style="list-style-type: none">1. Espere a que se restaure el suministro de agua.2. Utilice el termotanque cuando aumente la presión.3. Abra la válvula de entrada de agua.
La temperatura del agua es muy caliente	Falla en el sistema de control de temperatura.	Contacte al servicio técnico o personal especializado.
Escape de agua	Verifique los empalmes de cada manguera	Selle los empalmes



NOTA

Las piezas ilustradas en este manual de uso y mantenimiento son indicativas solamente, las piezas provistas con el producto pueden diferir de las ilustraciones. Este producto está diseñado solo para ser utilizado en el hogar. Las especificaciones están sujetas a cambios sin previo aviso

7. INFORMACIÓN DE PRODUCTO REGULACIÓN EU

El calentador de agua eléctrico **CTR10RS/E** de la compañía **Candy Hoover Group srl** ha sido testado con el perfil de carga declarado “**XXS**”

El producto cumple y se corresponde con los requisitos de las normas del Reglamento (No 814/2013) para calentadores eléctricos de agua de almacenamiento y logró una eficiencia energética de calentamiento de agua de

$\eta_{wh}=36\%$

Que corresponde a la clase de eficiencia de calentamiento de agua “**A**”

de acuerdo con el Anexo II Clases de eficiencia energética, artículo 1 del Reglamento (No 812/2013)

La evaluación de los resultados de este informe con respecto a la conformidad con el Reglamento de la Comisión relacionados (No 812/2013 y 814/2019) es sólo una parte de la evaluación de la conformidad para lograr la etiqueta ERP.

Consumo de electricidad Q_{elec} , Eficiencia energética de calentamiento de agua η_{wh} y agua mezclada a 40 °C (V_{40})

Descripción	Parámetro	Valor	Unidad
Valor k	k	0.23	
Conformidad con el control inteligente smart	smart	0	
Factor de control inteligente	SCF	0	
Coefficiente de conversión	CC	2.5	
Factor de corrección ambiente	Q_{cor}	-0.173	kWh
Energía de referencia	Q_{ref}	2.1	kWh
Contenido de energía útil	Q_{H2O}	2.131	kWh
Ratio de corrección Energía Referencia/Util	Q_{ref}/Q_{H2O}	0.985	kWh
Consumo diario de electricidad (medido)	Q_{test_elec}	2.469	kWh
Temperatura del agua al inicio del ciclo de medición de 24h	T3	48.7	°C
Temperatura del agua al final del ciclo de medición de 24h	T5	51.4	°C
Capacidad de Almacenamiento	M_{act}	10.3	kg
Capacidad de Almacenamiento	C_{act}	10.3	L
Consumo diario de electricidad	Q_{elec}	2.401	kWh
Eficiencia Energética de Calentamiento de Agua	η_{wh}	36.0	
Annual Electricity Consumption	AEC	512	kWh
Clase de Eficiencia Energética			
Temperatura del agua con grifos cerrados	T_{set}	48	°C
Temperatura media del agua en la salida de agua caliente	θ'_p	46.4	°C
Temperatura media del agua en la entrada de agua fría	θ_c	10.4	°C
Valor normalizado de la media de temperatura	θ_p	46.4	°C
Volumen de agua calentada al menos 40° C	V_{40exp}	8	L
Agua mixta a 40 °C	V_{40}	9	L

El calentador de agua eléctrico **CTR15RS/E** de la compañía **Candy Hoover Group srl** ha sido testado con el perfil de carga declarado **“XXS”**

El producto cumple y se corresponde con los requisitos de las normas del Reglamento (No 814/2013) para calentadores eléctricos de agua de almacenamiento y logró una eficiencia energética de calentamiento de agua de

$\eta_{wh}=35\%$

Que corresponde a la clase de eficiencia de calentamiento de agua **“A”**

de acuerdo con el Anexo II Clases de eficiencia energética, artículo 1 del Reglamento (No 812/2013)

La evaluación de los resultados de este informe con respecto a la conformidad con el Reglamento de la Comisión relacionados (No 812/2013 y 814/2019) es sólo una parte de la evaluación de la conformidad para lograr la etiqueta ERP.

Consumo de electricidad **Q_{elec}** , Eficiencia energética de calentamiento de agua **η_{wh}** y agua mezclada a 40 °C (**V_{40}**)

Descripción	Parámetro	Valor	Unidad
Valor k	k	0.23	
Conformidad con el control inteligente smart	smart	0	
Factor de control inteligente	SCF	0	
Coefficiente de conversión	CC	2.5	
Factor de corrección ambiente	Q_{cor}	-0.208	kWh
Energía de referencia	Q_{ref}	2.1	kWh
Contenido de energía útil	Q_{H2O}	2.134	kWh
Ratio de corrección Energía Referencia/Util	Q_{ref}/Q_{H2O}	0.984	kWh
Consumo diario de electricidad (medido)	Q_{test_elec}	2.478	kWh
Temperatura del agua al inicio del ciclo de medición de 24h	T3	49.6	°C
Temperatura del agua al final del ciclo de medición de 24h	T5	48.3	°C
Capacidad de Almacenamiento	M_{act}	15.6	kg
Capacidad de Almacenamiento	C_{act}	15.6	L
Consumo diario de electricidad	Q_{elec}	2.462	kWh
Eficiencia Energética de Calentamiento de Agua	η_{wh}	35.3	
Annual Electricity Consumption	AEC	522	kWh
Clase de Eficiencia Energética			
Temperatura del agua con grifos cerrados	T_{set}	50	°C
Temperatura media del agua en la salida de agua caliente	θ'_p	49.2	°C
Temperatura media del agua en la entrada de agua fría	θ_c	10.6	°C
Valor normalizado de la media de temperatura	θ_p	49.2	°C
Volumen de agua calentada al menos 40° C	V_{40exp}	12	L
Agua mixta a 40 °C	V_{40}	16	L

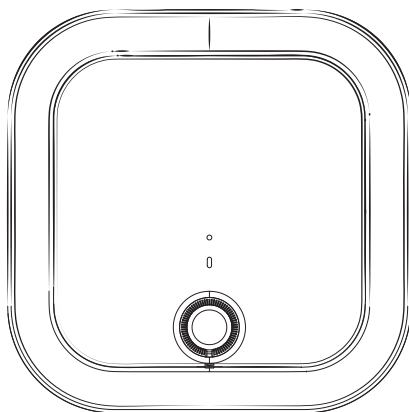
El producto está sujeto a cambios sin previo aviso.
Por favor, mantenga adecuadamente este manual.



MANUAL DE INSTRUÇÃO

Aquecedor Elétrico de
Água com Armazenamento

Modelo: CTR10RS/E
CTR15RS/E



O diagrama acima serve apenas como referência.
A aparência do produto real deve ser tomada como padrão.

Declarações de conformidade

Ao colocar a marca **CE** no produto, estamos confirmando a conformidade com todos os requisitos europeus relevantes de segurança, saúde e meio ambiente que sejam aplicáveis na legislação para este produto.

Gestão de resíduos e proteção ambiental



Este aparelho está etiquetado de acordo com a Diretiva Europeia 2012/19/UE relativa a equipamento elétrico e eletrônico (WEEE). O WEEE contém substâncias poluentes (que podem ter um efeito negativo no ambiente) e elementos de base (que podem ser reutilizados). É importante que o WEEE passe por tratamentos específicos para remover e eliminar corretamente os poluentes e recuperar todos os materiais. Os indivíduos podem desempenhar um papel importante para garantir que o WEEE não se torne um problema ambiental; É essencial seguir algumas regras básicas.

- O WEEE não deve ser tratado como lixo doméstico;
- O WEEE deve ser levado a áreas de coleta dedicadas gerenciadas pelo conselho municipal ou por uma empresa registrada.

Em muitos países, coleções domésticas podem estar disponíveis para grandes WEEEs. Quando você compra um novo equipamento, o antigo pode ser devolvido ao fornecedor, que deve aceitá-lo gratuitamente como único, desde que o equipamento seja de um tipo equivalente e tenha as mesmas funções como o aparelho comprado.

Observação Geral

- A instalação e manutenção têm de ser efetuadas por profissionais qualificados ou técnicos autorizados pela .
- O fabricante não será responsável por qualquer dano ou avaria causada por instalação errada ou incumprimento das seguintes instruções neste panfleto.
- Para orientações mais detalhadas sobre instalação e manutenção, por favor consulte os capítulos seguintes.

ÍNDICE

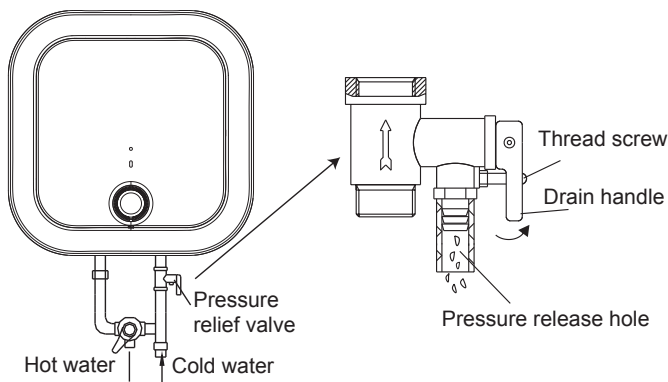
TÍTULO	PÁGINA
1.PRECAUÇÕES	(2)
2.INTRODUÇÃO DO PRODUTO	(3)
3.INSTALAÇÃO	(5)
4.MÉTODOS DE USO.....	(7)
5.MANUTENÇÃO.....	(7)
6.SOLUÇÃO DE PROBLEMAS	(8)
7.INFORMAÇÃO DE PRODUTO SEGUNDO A REGULAMENTAÇÃO EU	(9)
8.DESCRICÃO ANEXO I.....	(13)

1. PRECAUÇÕES

Antes de instalar o aquecedor de água, verifique e confirme que o aterramento na tomada de alimentação esteja seguramente aterrado. Caso contrário, O aquecedor de água elétrico não pode ser instalado e utilizado. Não use extensão. Instalação e a utilização incorreta do aquecedor elétrico de água pode resultar em ferimentos graves e danos nos bens.

Precauções Especiais

- A tomada de alimentação tem de ser aterrado seguramente. A corrente nominal da tomada não pode ser inferior a 16A. A tomada e a ficha devem ser mantidas secas para evitar fuga elétrica.
- A altura de instalação da tomada de alimentação não deve ser inferior a 1,8m.
- A parede na qual o aquecedor é instalado deve ser capaz de suportar uma carga superior a duas vezes do aquecedor enchido completamente com água sem distorção ou rachaduras. Senão, outras medidas de reforço devem ser tomadas.
- A válvula de alívio de pressão do aquecedor deve ser instalada na entrada de água fria do aquecedor (ver Fig.1), e não pode ser exposto no nevoeiro. A água pode sair por válvula de alívio de pressão, então o tubo de saída deve ser mantido livre de obstrução e a válvula de alívio de pressão deve ser verificada e limpa regularmente para garantir que não esteja bloqueada.



(Fig.1)

- Quando usar o aquecedor pela primeira vez (ou primeiro uso após manutenção), o aquecedor não pode ser ligado antes de ser completamente enchido com água. Quando encher água, pelo menos uma das válvulas de saída na saída do aquecedor deve ficar aberta para esvaziar o ar. Esta válvula pode ser fechada após o aquecedor ser completamente enchido com água.
- O aquecedor de água não é destinado para uso por pessoas (incluindo crianças) com capacidades físicas, sensoriais ou mentais reduzidas, ou com falta de experiência e conhecimento, a menos que eles tenham sido dados supervisão ou instruções relativas à utilização do aparelho por uma pessoa responsável pela sua segurança. As crianças devem ser supervisionadas para garantir que não brincassem com o aquecedor.
- Durante o aquecimento, gotas de água podem escorrer do buraco de libertação de pressão da válvula de alívio de pressão. Este é um fenómeno normal. Se há uma grande quantidade de vazamento, por favor, contacte centro de atendimento de clientes para reparação. O buraco de para libertação de pressão não pode ser bloqueado em nenhuma circunstância, sob pena de danificar o aquecedor, até causar acidentes.
- O tubo de drenagem conectado com o buraco de libertação de pressão tem de ser mantido com inclinação para baixo.
- Como a temperatura da água no aquecedor pode atingir até 75°C, a água quente não deve ser usada nos corpos humanos diretamente no início. Ajuste a temperatura de água a uma temperatura adequada para evitar queimaduras.

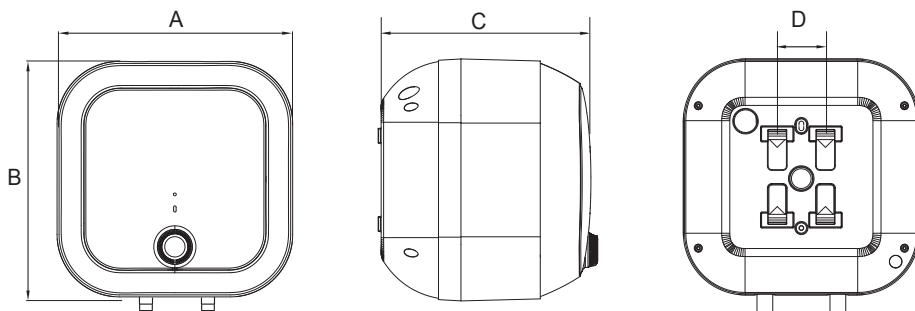
- Caso o cabo de alimentação flexível ser danificado este deve ser substituído por cabo específico fornecido pelo fabricante e pelo pessoal de manutenção profissional.
- Se qualquer parte ou componente deste aquecedor ser danificado, por favor, contate o centro de atendimento de clientes para reparação.
- O aquecedor de água não é destinado para uso por pessoas (incluindo crianças) com capacidades físicas, sensoriais ou mentais reduzidas, ou com falta de experiência e conhecimento, a menos que eles tenham sido dados supervisão ou instruções relativas à utilização do aparelho por uma pessoa responsável pela sua segurança.
- As crianças devem ser supervisionadas para garantir que não brincassem com o aquecedor.
- A pressão máxima de água da entrada é de 0,5 MPa; a mínima é de 0,1 MPa, se esta é necessária para a operação correta do aquecedor.
- Água pode sair do tubo de descarga do dispositivo de alívio de pressão, e este tubo tem de ser mantido aberto ao ar livre. O dispositivo de alívio de pressão tem de operado regularmente para remover depósitos de calcário e verificar se existe bloqueio.
- No caso de drenar a água dentro do recipiente interno, isso pode ser feita pela válvula de alívio de pressão. Retire o parafuso com rosca da válvula de alívio de pressão por girá-lo, e levante o punho de drenagem para cima. (Ver Fig. 1) Um tubo de descarga conectado ao dispositivo de alívio de pressão deve ser instalado no sentido continuamente descendente e um ambiente livre de geada.

2. INTRODUÇÃO DO PRODUTO

2.1 Parâmetros de Desempenho Técnicos

Modelo	Volume (L)	Potência Nominal (W)	Voltagem Nominal (ACV)	Pressão Nominal (MPa)	Temperatura Max. de Água (°C)	Classe de Proteção	Nível de Impermeabilidade
CTR10RS/E	10	1500	220-240	0.75	65	I	IPX4
CTR15RS/E	15	1500	220-240	0.75	75	I	IPX4

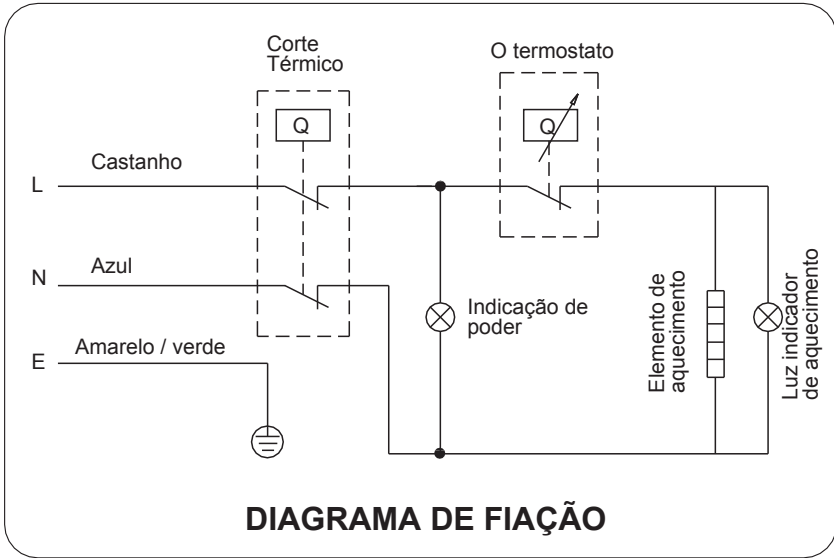
2.2 Introdução Breve da Estrutura do Produto



	CTR10RS/E	CTR15RS/E
A	324	368
B	324	368
C	282	312
D	66	66

(Nota: Todas as dimensões são em mm)

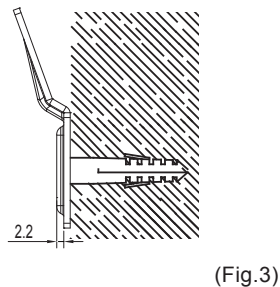
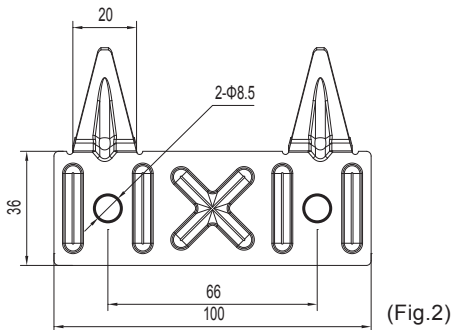
2.3 Diagrama dos Fios Internos



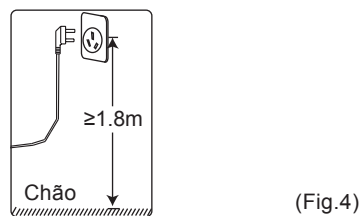
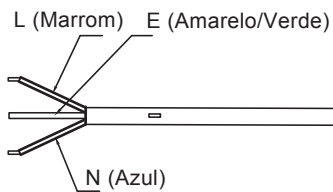
3. UNIT INSTALLATION

3.1 Instrução de Instalação

- ① Este aquecedor elétrico de água deve ser instalado numa parede sólida. Se a parede não consegue suportar a carga igual a duas vezes do peso total do aquecedor totalmente enchido com água, é necessário instalar um suporte especial. Se for parede de tijolos ocos, estes devem ser enchidos com betão de cimento completamente.
- ② Depois de seleccionar um local adequado, instale o suporte de montagem em uma parede sólida. Métodos de instalação: Siga a instalação como mostrado na Fig.3. Use as âncoras e os fixadores fornecidos juntamente com o produto para fixar o suporte (Fig.2) firmemente na parede.
- ③ Alinhe as ranhuras na parte de trás do aquecedor de água com as projeções no suporte e monte o aquecedor de água no suporte. Em seguida, deslize o aquecedor de água suavemente na direção do lado inferior para travar o aquecedor de água.



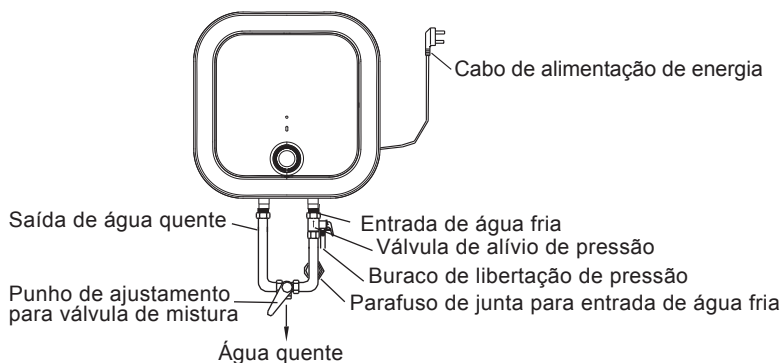
- ④ Instale a tomada de alimentação na parede. A tomada de alimentação deve ser 250V/10A. É recomendado colocar a tomada na direita sobre o aquecedor. A altura da tomada sobre o chão não deve ser inferior a 1,8m (ver Fig. 4). Se existe defeito no cabo de alimentação, o cabo deve ser substituído pelo fabricante, agência ou pessoa qualificada que é capaz fazer isso para garantir a segurança.



- ⑤ Se a casa de banho é demais pequena, o aquecedor pode ser instalado fora da casa de banho. Mas para diminuir a perda de calor na tubulação, o aquecedor deve ficar o mais perto possível da casa de banho.

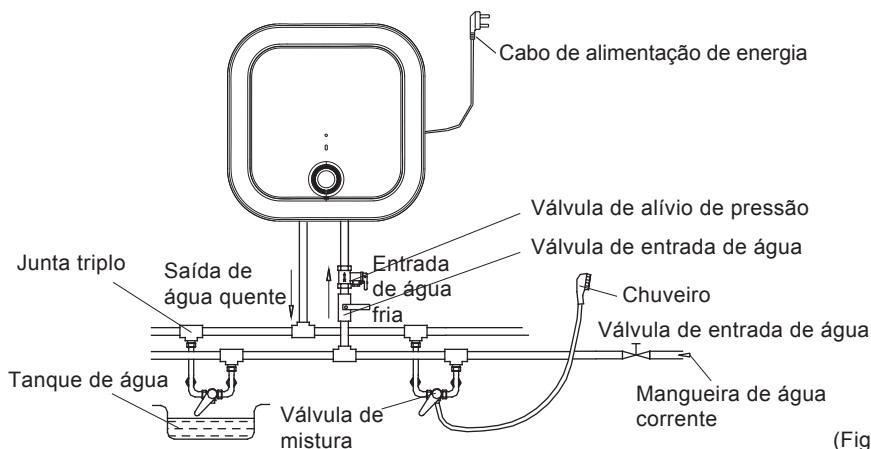
3.2 Conexão das Tubulações

- ① A dimensão de todas as partes de tubo é de G1/2". A pressão máxima na entrada deve usar Pa como a unidade. A pressão mínima na entrada deve usar Pa como a unidade.
- ② Conexão da válvula de alívio de pressão com o aquecedor na entrada do aquecedor.
- ③ Quando conectar os tubos, a fim de evitar fuga, a vedação de borracha fornecida com o aquecedor tem de ser colocada no fim das roscas para garantir nas juntas não exista fuga (ver Fig.5).



(Fig.5)

- ④ Caso o utente quer ter um sistema multi-modo de alimentação, refere-se ao método mostrado na Fig. 6 para conexão dos tubos.



(Fig.6)



NOTA

Por favor, sempre use os acessórios fornecidos por nossa empresa para instalar este aquecedor elétrico de água. O aquecedor não pode ser colocado no suporte até ter confirmado que este esteja firme e confiável. Se não, o aquecedor possa cair da parede, resultante em danos do aquecedor, ou até acidentes graves de ferimento. Quando selecionar locais para buracos de parafuso tem de sempre garantir que exista uma distância não inferior a 0,2m na direita do aquecedor, para facilitar a manutenção do aquecedor, se necessário.

4. MÉTODOS DE USO

- Primeiro, abre qualquer das válvulas de saída na saída do aquecedor, e depois, abre a válvula de entrada. O aquecedor fica enchido com água. Quando água sai da mangueira de saída, isso significa que o aquecedor tem sido enchido completamente com água, e a válvula de saída pode ser fechada.



NOTA

Durante operação normal, a válvula de entrada deve ser sempre mantida aberta.

- Insira o plugue de alimentação no soquete.
- Se o indicador acender, o termostato controlará automaticamente a temperatura. Quando a temperatura da água no interior do aquecedor atingir a temperatura definida, esta será desligada automaticamente, quando a temperatura da água descer abaixo do ponto de referência, o aquecedor será ligado automaticamente para restaurar o aquecimento.



(Fig.7)

- ① Gire o botão de acordo com a marcação no botão para aumentar ou diminuir a temperatura definida.
- ② O LED branco (superior) é a luz de energia. O LED branco (inferior) é a luz de aquecimento. A luz de energia permanece acesa (ON) quando a máquina está conectada à energia. A luz de aquecimento estará acesa (ON) quando o botão for girado para ajustar a temperatura e será desligado(OFF) quando o processo de aquecimento estiver terminado.

5. MANUTENÇÃO

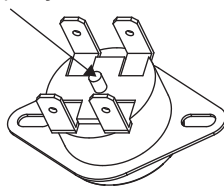


AVISO

Antes de efetuar qualquer tipo de manutenção, corte a alimentação.

- Verifique a ficha e a tomada de alimentação elétrica tão frequentemente quanto possível. Certifique-se de que foi fornecida uma ligação à terra e um contacto elétrico adequado. A ficha e a tomada não devem aquecer de forma excessiva.
- Se o aquecedor não for utilizado durante muito tempo, especialmente em regiões com uma temperatura do ar baixa (abaixo de 0° C) é necessário drenar a água do aquecedor para impedir danos ao aquecedor de água, devido ao congelamento de água no reservatório interno. (Consulte Precauções neste manual para obter o método para drenar a água do contentor interior).
- Para garantir um funcionamento longo e fiável do aquecedor de água é recomendado limpar regularmente o reservatório interior e remover depósitos no elemento de aquecimento elétrico do aquecedor de água, assim como verificar a condição (completamente decomposto ou não) do ânodo de magnésio e, se necessário, substituir por um novo em caso de decomposição total. A frequência de limpeza do reservatório depende da dureza da água localizada neste território. A limpeza deve ser efetuada por serviços de manutenção especiais. Também pode solicitar ao vendedor o endereço do centro de serviço mais próximo.
- O aquecedor de água encontra-se equipado com um interruptor térmico que corta a alimentação ao elemento de aquecimento em caso de sobreaquecimento da água ou em caso de ausência de água. Se o aquecedor de água se encontrar ligado à alimentação principal, mas a água não for aquecida e o indicador não acender, então o interruptor térmico foi desligado ou então não foi ligado. Para repor o aquecedor de água para o estado operacional é necessário:
 1. Cortar a alimentação elétrica ao aquecedor de água, remover a placa na lateral/cobertura inferior.
 2. Premir o botão localizado no centro do interruptor térmico, consulte Fig. 8;
 3. Se o botão não for premido e não ocorrer um "clique", deve aguardar até que o interruptor térmico arrefeça até à sua temperatura inicial.

Botão de reposição manual



(Fig.8)



AVISO

Não é permitido a não profissionais desmontar o interruptor térmico para repor. Contacte profissionais para efetuar a manutenção. Caso contrário a nossa empresa não irá assumir a responsabilidade em caso de acidentes relacionados com qualidade decorrentes de tal situação.

6. SOLUÇÃO DE PROBLEMAS

Falhas	Razões	Tratamento
A luz indicadora de aquecimento está desligada.	Falhas do controlador de temperatura.	Contate com o pessoal profissional para reparação.
Não há água saindo da saída de água quente.	<ol style="list-style-type: none">1. A alimentação de água corrente está cortada.2. A pressão hidráulica está demais baixa.3. A válvula de entrada de água corrente não está aberta.	<ol style="list-style-type: none">1. Espere por restauração de abastecimento de água corrente.2. Volte a usar o aquecedor quando a pressão hidráulica tem sido aumentada.3. Abre a válvula de entrada de água corrente.
A temperatura de água está demais alta.	Falhas do sistema de controlo de temperatura.	Contate com o pessoal profissional para reparação.
Fuga de água.	Problema de vedação de junta dos tubos.	Selar as juntas.



NOTA

As peças ilustradas neste manual de uso e cuidado são apenas indicativas, e as peças fornecidas com este produto podem ser diferentes com as ilustrações. Este produto é meramente destinado para uso doméstico. As especificações são sujeitas a alterações sem aviso prévio.

7. INFORMAÇÃO DE PRODUTO SEGUNDO A REGULAMENTAÇÃO EU

O termoacumulador **CTR10RS/E** da empresa **Candy Hoover Group srl** foi testado com um perfil de carga declarado **“XXS”**

O produto cumpre e corresponde aos requisitos das normas do regulamento (No 814/2013) para termoacumuladores elétricos e alcançou uma eficiência de aquecimento de água de

$\eta_{wh}=36\%$

Que corresponde à classe de eficiência de aquecimento de água **“A”** de acordo com o anexo II Classes de Eficiência Energética, artigo 1 do regulamento (No 812/2013)

A avaliação dos resultados deste relatório com respeito à conformidade com o Regulamento da Comissão relacionados (No 812/2013 e 814/2019) é apenas parte de uma avaliação de conformidade para alcançar o rótulo ERP.

O consumo de eletricidade **Q_{elec}** , Eficiência energética do termoacumulador **η_{wh}** e mistura de água a 40°C (V40)

Descrição	Parâmetro	Valor	Unidade
Valor k	k	0.23	
Conformidade do controlo inteligente	smart	0	
Fator de controlo inteligente	SCF	0	
Coefficiente de conversão	CC	2.5	
Fator de correção ambiente	Q_{cor}	-0.173	kWh
Energia de referência	Q_{ref}	2.1	kWh
Conteúdo de energia útil	Q_{H2O}	2.131	kWh
Rácio de correção de Energia Referência/útil	Q_{ref}/Q_{H2O}	0.985	kWh
Consumo diário de eletricidade (medido)	Q_{test_elec}	2.469	kWh
Temperatura da água no início do ciclo de medição de 24h	T3	48.7	°C
Temperatura da água no final do ciclo de medição de 24h	T5	51.4	°C
Volume de armazenamento	M_{act}	10.3	kg
Volume de armazenamento	C_{act}	10.3	L
Consumo diário de eletricidade (corrigido)	Q_{elec}	2.401	kWh
Eficiência energética do termoacumulador	η_{wh}	36.0	
Consumo anual de eletricidade	AEC	512	kWh
Classe de eficiência energética			
Temperatura da água, sem retirada de água	T_{set}	48	°C
Temperatura média da água na saída de água quente	θ'_p	46.4	°C
Temperatura média da água na entrada de água fria	θ_c	10.4	°C
Valor normalizado da temperatura média	θ_p	46.4	°C
Volume de água entregue com pelo menos 40°C	V_{40exp}	8	L
Volume calculado de água quente entregue com pelo menos 40°C	V_{40}	9	L

O termoacumulador **CTR15RS/E** da empresa **Candy Hoover Group srl** foi testado com um perfil de carga declarado **“XXS”**

O produto cumpre e corresponde aos requisitos das normas do regulamento (No 814/2013) para termoacumuladores elétricos e alcançou uma eficiência de aquecimento de água de **$\eta_{wh}=35\%$**

Que corresponde à classe de eficiência de aquecimento de água **“A”** de acordo com o anexo II Classes de Eficiência Energética, artigo 1 do regulamento (No 812/2013)

A avaliação dos resultados deste relatório com respeito à conformidade com o Regulamento da Comissão relacionados (No 812/2013 e 814/2019) é apenas parte de uma avaliação de conformidade para alcançar o rótulo ERP.

O consumo de eletricidade **Q_{elec}** , Eficiência energética do termoacumulador **η_{wh}** e mistura de água a 40°C (V40)

Descrição	Parâmetro	Valor	Unidade
Valor k	k	0.23	
Conformidade do controlo inteligente	smart	0	
Fator de controlo inteligente	SCF	0	
Coefficiente de conversão	CC	2.5	
Fator de correção ambiente	Q_{cor}	-0.208	kWh
Energia de referência	Q_{ref}	2.1	kWh
Conteúdo de energia útil	Q_{H2O}	2.134	kWh
Rácio de correção de Energia Referência/útil	Q_{ref}/Q_{H2O}	0.984	kWh
Consumo diário de eletricidade (medido)	Q_{test_elec}	2.478	kWh
Temperatura da água no início do ciclo de medição de 24h	T3	49.6	°C
Temperatura da água no final do ciclo de medição de 24h	T5	48.3	°C
Volume de armazenamento	M_{act}	15.6	kg
Volume de armazenamento	C_{act}	15.6	L
Consumo diário de eletricidade (corrigido)	Q_{elec}	2.462	kWh
Eficiência energética do termoacumulador	η_{wh}	35.3	
Consumo anual de eletricidade	AEC	522	kWh
Classe de eficiência energética			
Temperatura da água, sem retirada de água	T_{set}	50	°C
Temperatura média da água na saída de água quente	θ'_p	49.2	°C
Temperatura média da água na entrada de água fria	θ_c	10.6	°C
Valor normalizado da temperatura média	θ_p	49.2	°C
Volume de água entregue com pelo menos 40°C	V_{40exp}	12	L
Volume calculado de água quente entregue com pelo menos 40°C	V_{40}	16	L

O produto é sujeito a alteração sem aviso prévio.
Por favor, guarde este manual apropriadamente.