


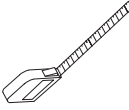

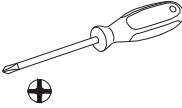
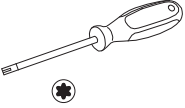


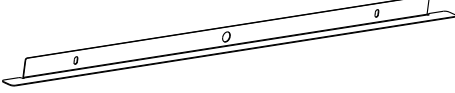
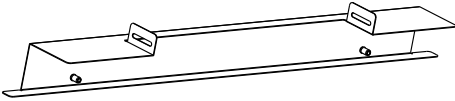
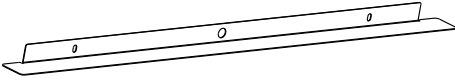
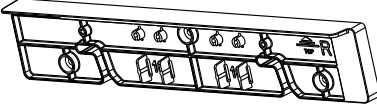
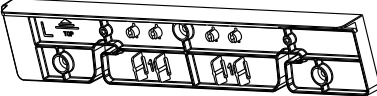
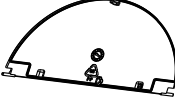
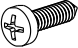

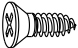




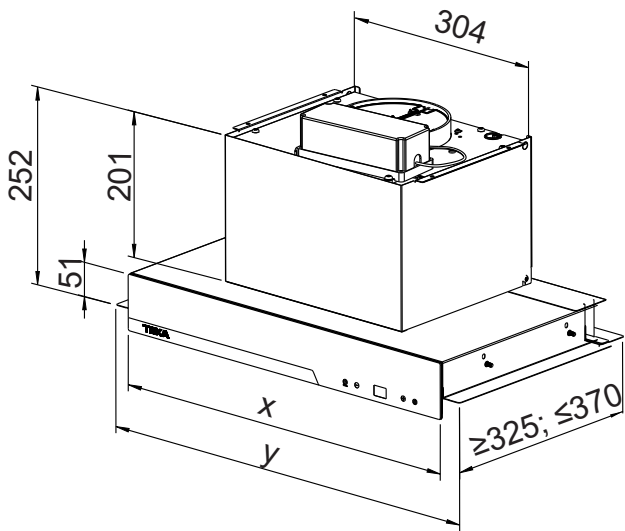
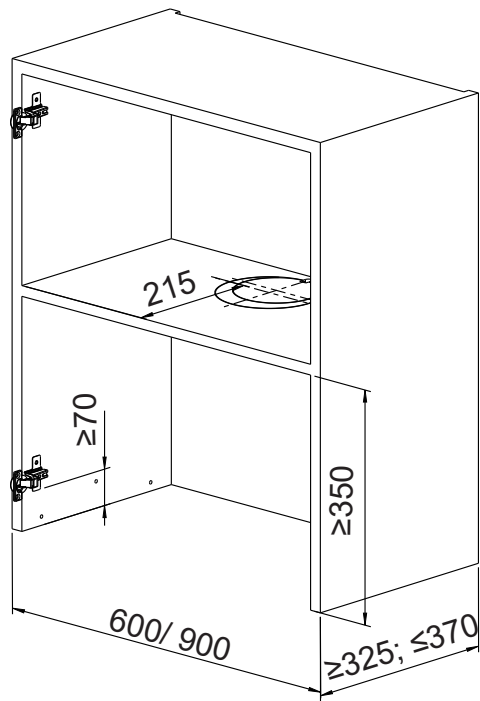
TEKA

Installation Leaflet
GFI 67350 EOS/ GFI 97350 EOS/
GFI 67350 ECS/ GFI 97350 ECS

www.teka.com

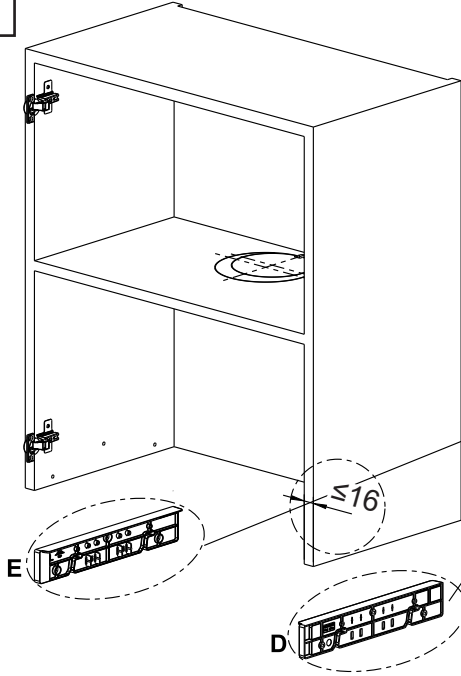
 x 1	 				
---	---	--	--	--	---

A		1	✓
B		1	✓
C		1	✓
D		1	✓
E		1	✓
F		2	✓
G		6	✓
H		4	✓
I		4	✓
J		2	✗
K		1	✗

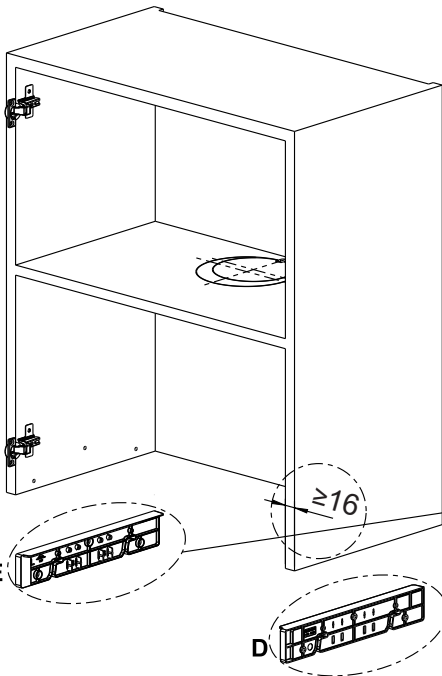
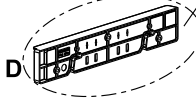
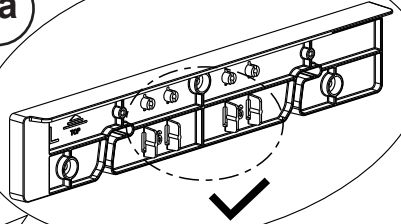


	GFI 67350	GFI 97350
X	538	838
y	592	892

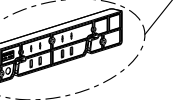
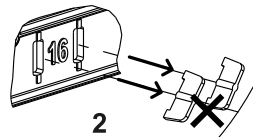
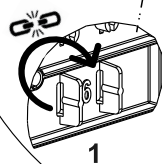
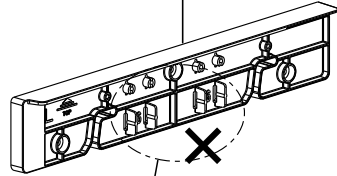
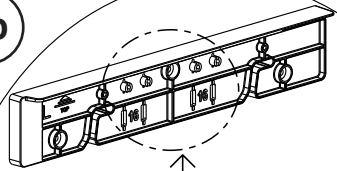
1



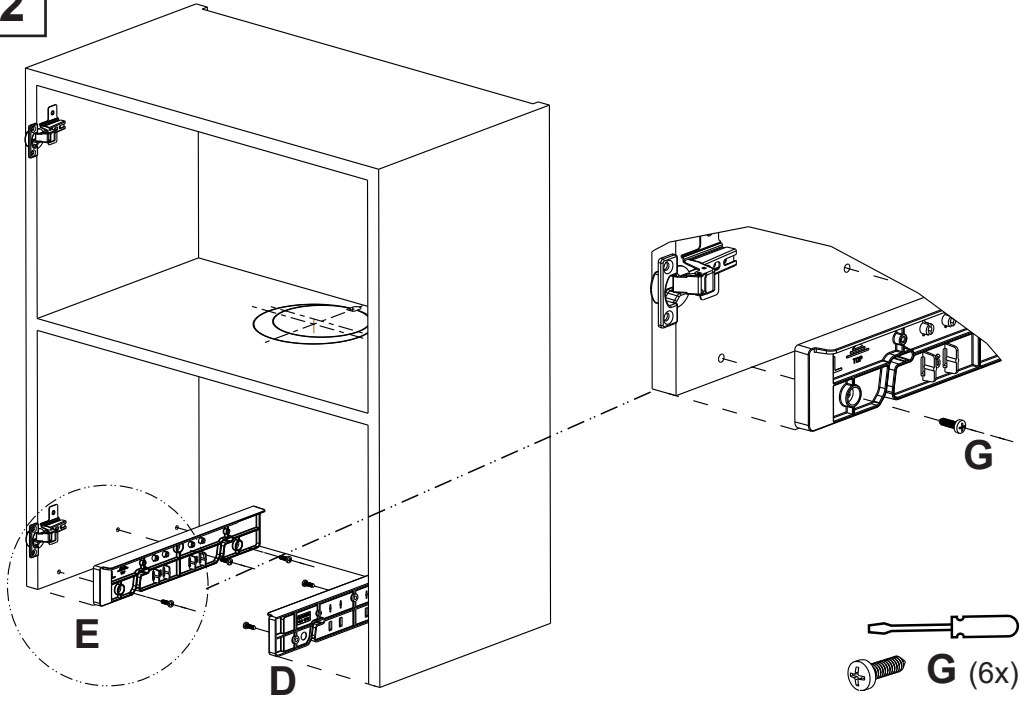
1a



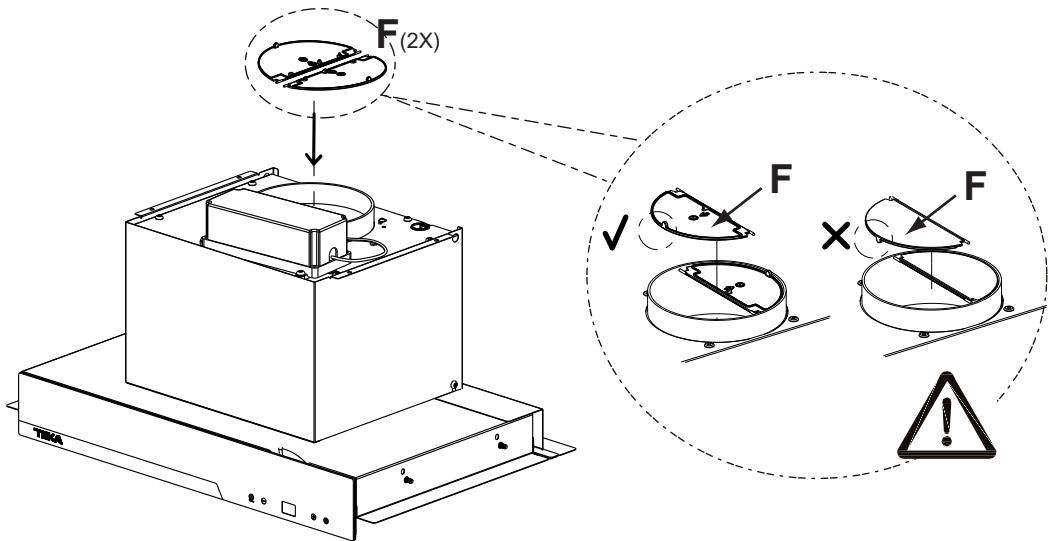
1b



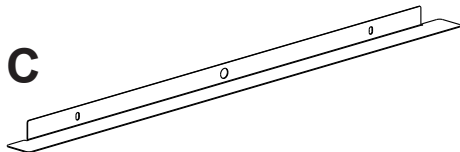
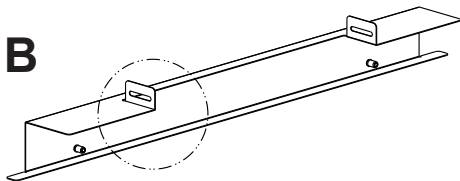
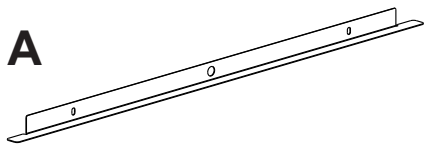
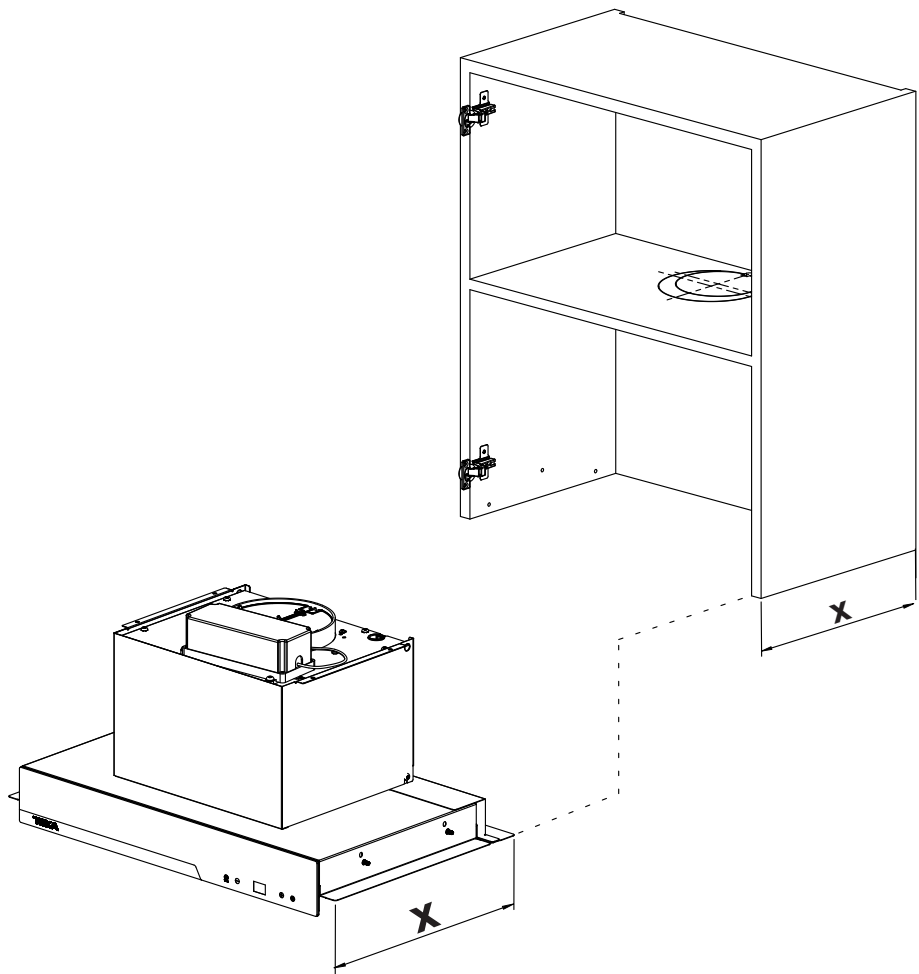
2



3



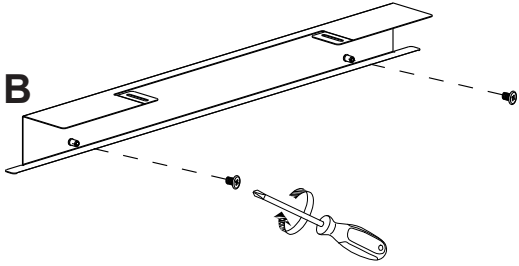
4



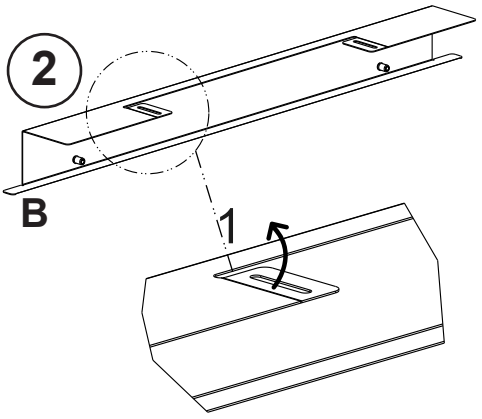
	X	5
A	325	5a
B	340	5b
B + C	355	5c
A + (B + C)	$\geq 355 ; \leq 370$	5d
C + (B + A)	$\geq 340 ; \leq 365$	5e

4a

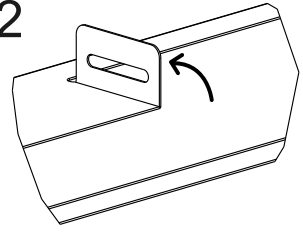
1


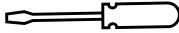


2



2

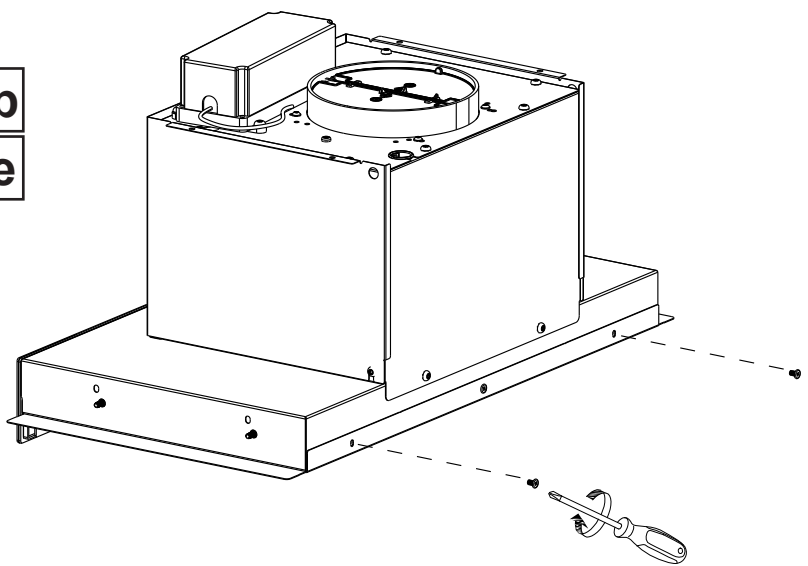


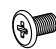
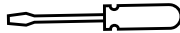
 2x - GFI 67350
 4x - GFI 97350

5

5a 5b

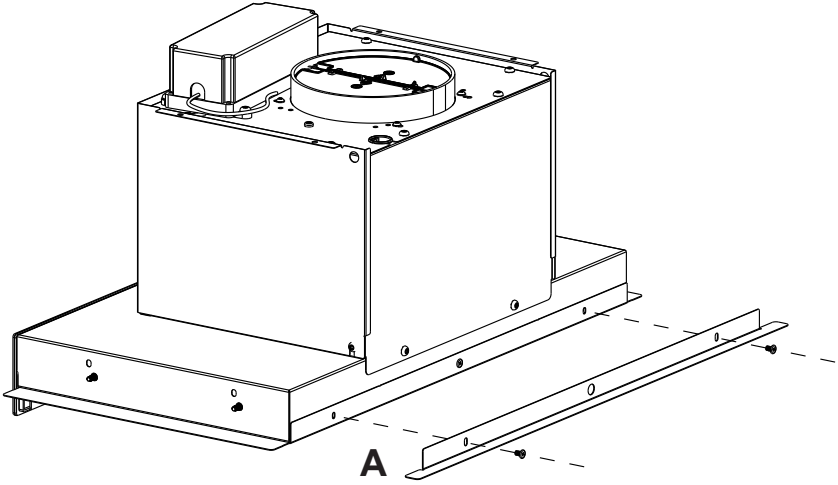
5d 5e

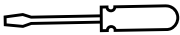



 2x - GFI 67350
 4x - GFI 97350

5a

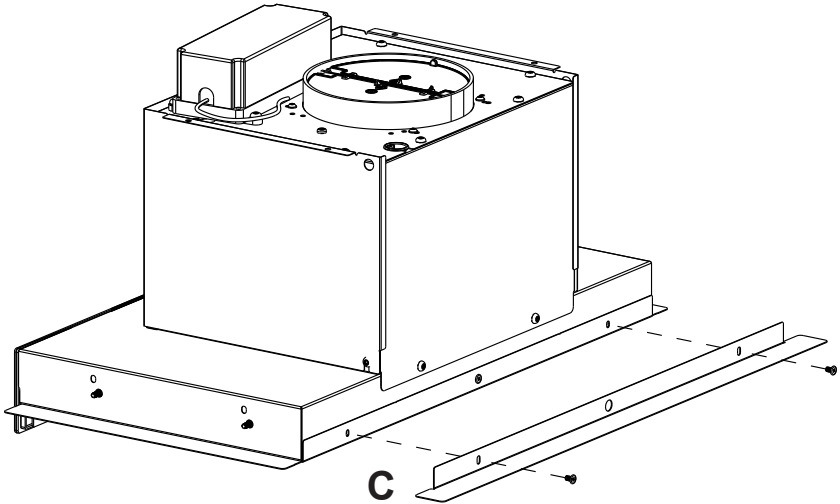
A

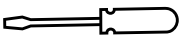



- 
-  2x - GFI 67350
- 4x - GFI 97350

5b

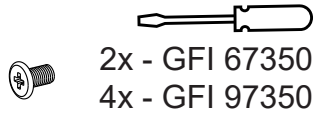
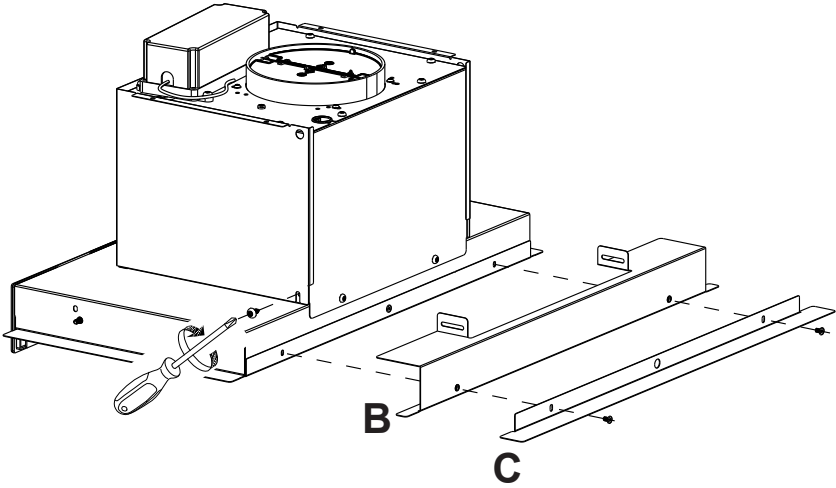
C



- 
-  2x - GFI 67350
- 4x - GFI 97350

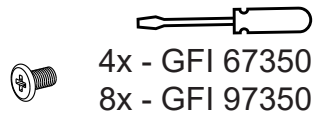
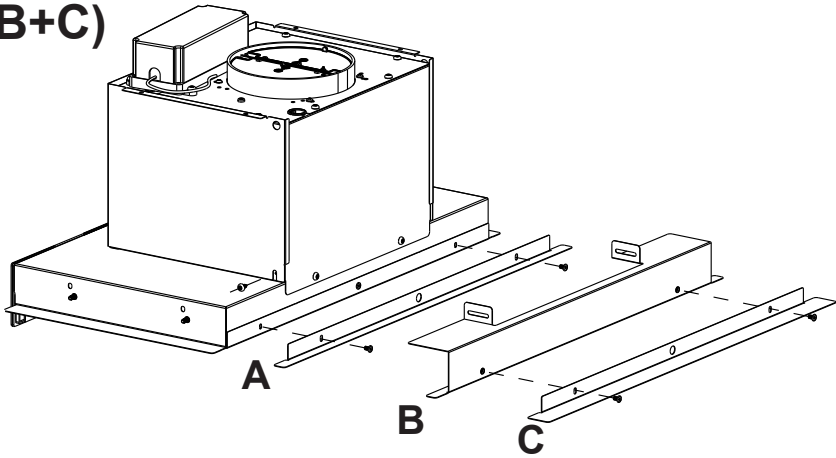
5c

B+C



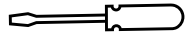
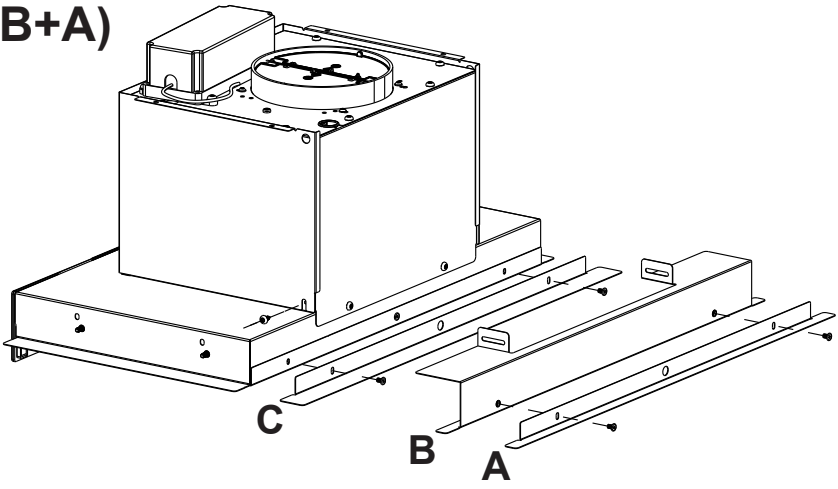
5d

A+ (B+C)



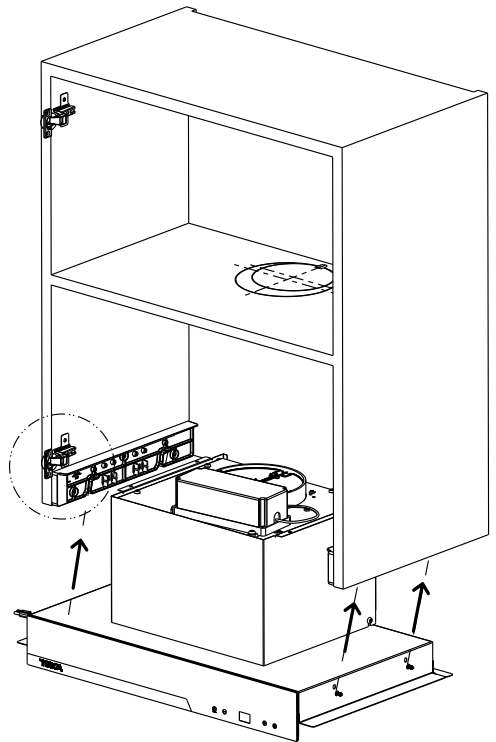
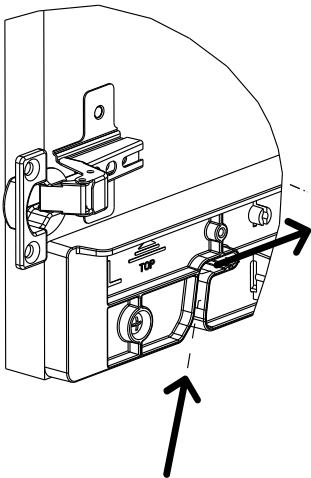
5e

C + (B+A)

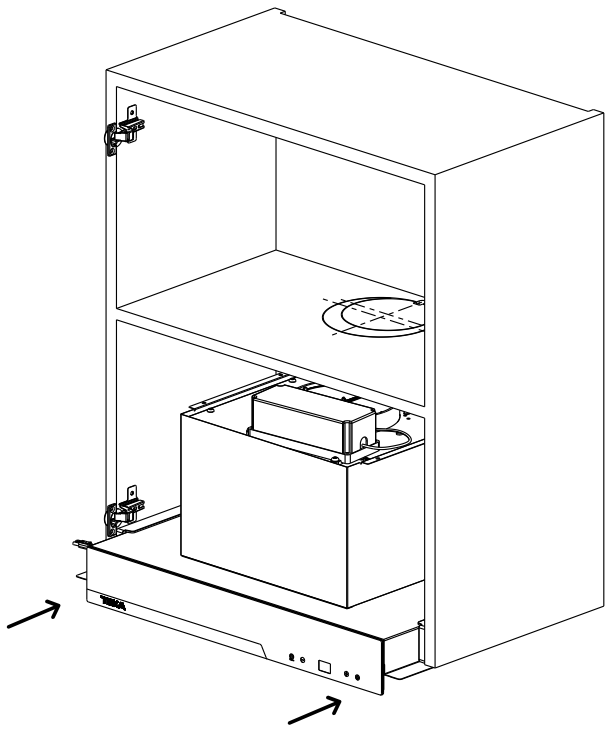


4x - GFI 67350
8x - GFI 97350

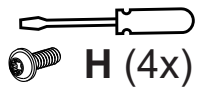
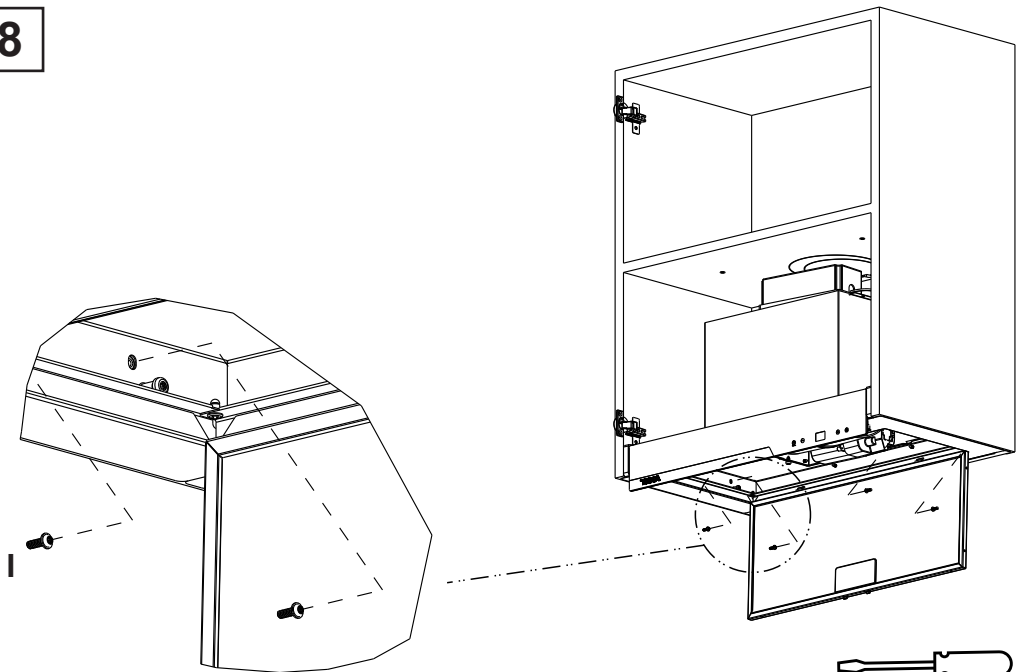
6



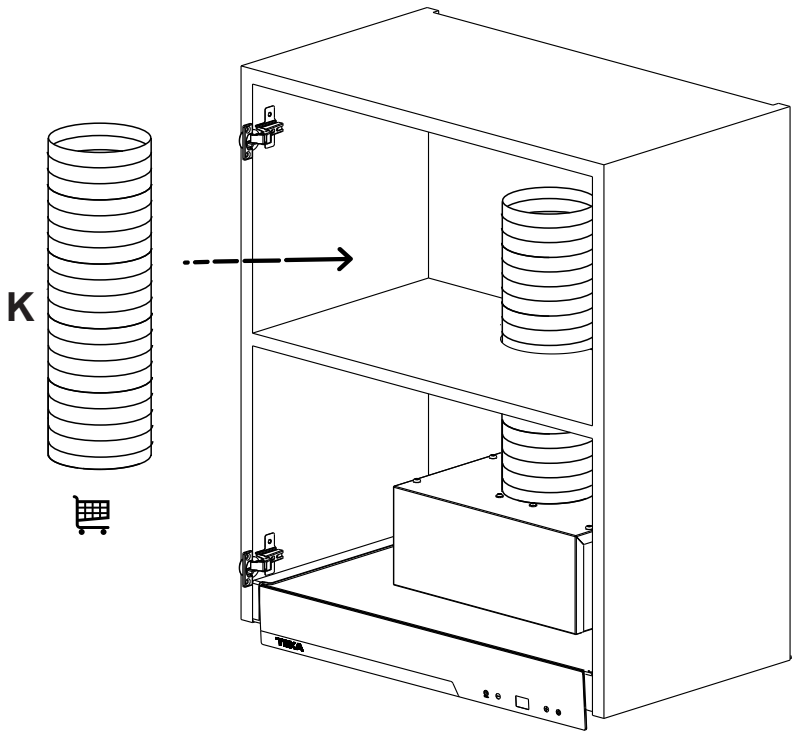
7



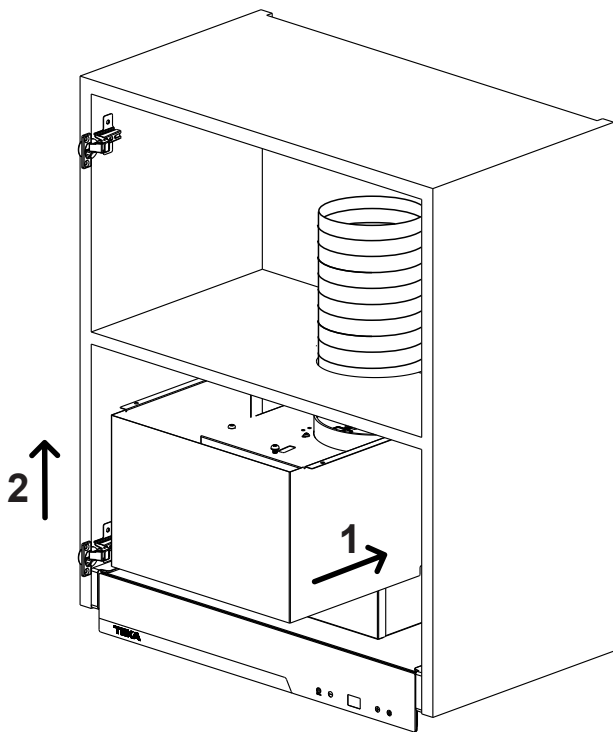
8



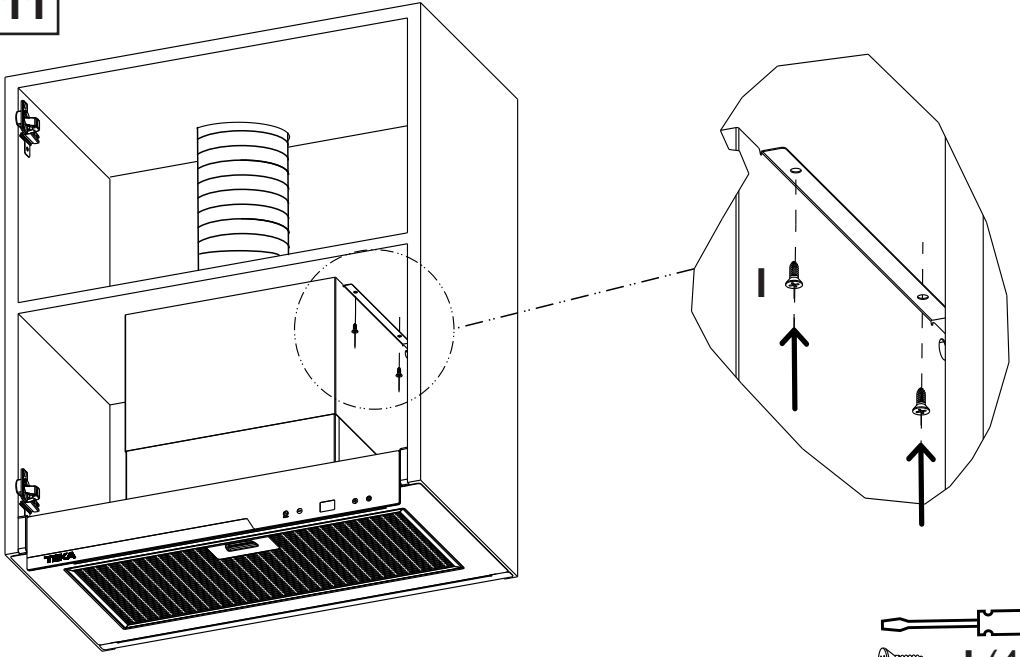
9



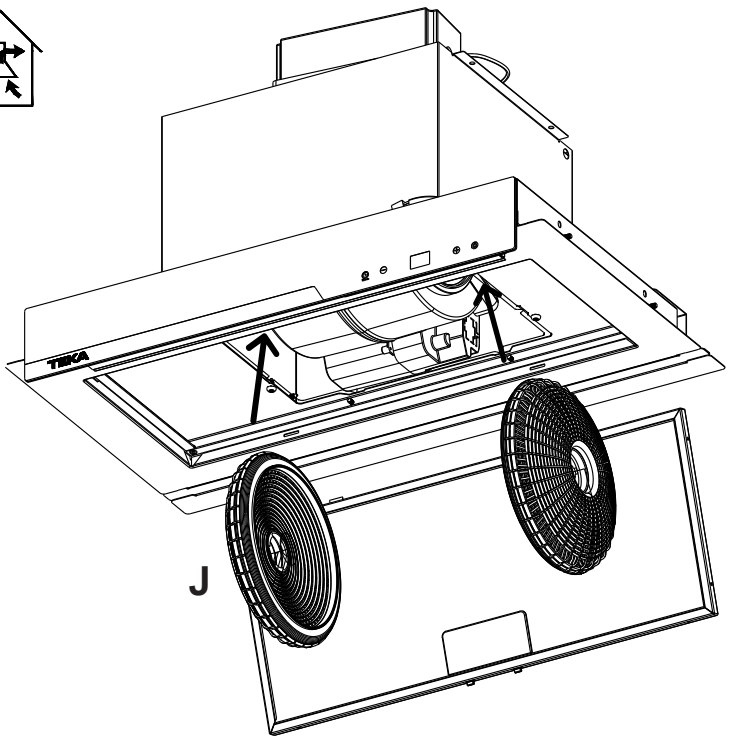
10



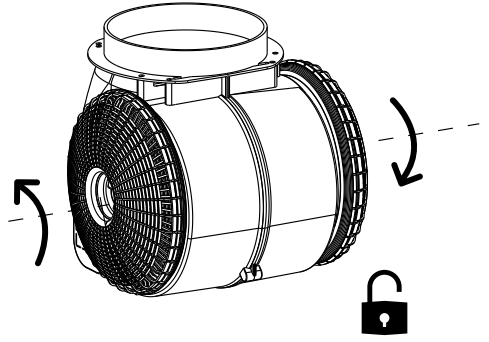
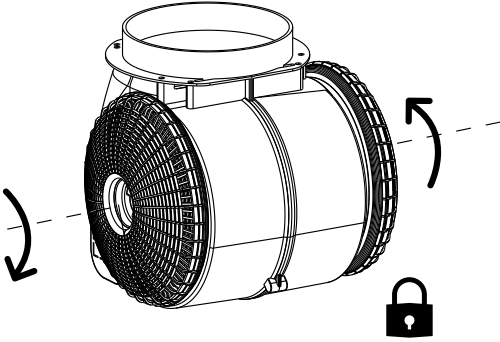
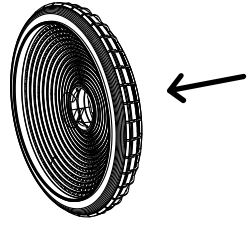
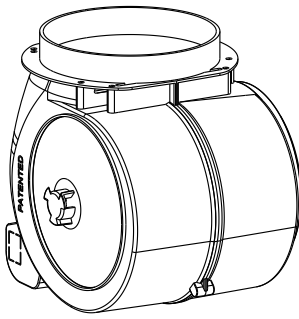
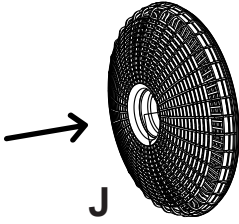
11



12



13



TEKA



www.teka.com

1231356